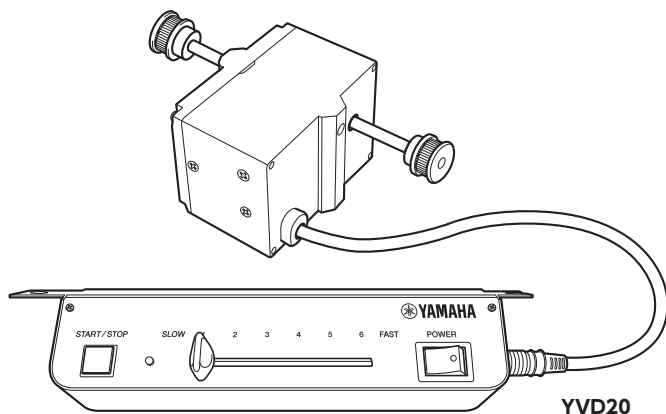


VIBRAPHONE VARIABLE-SPEED DRIVER**YVD20**
YVD10**取扱説明書****Owner's Manual****Benutzerhandbuch****Mode d'emploi****Manual de instrucciones****Manual do Proprietário****Руководство пользователя****使用说明书****사용설명서**

『安全上のご注意』(3 ページ) を必ずお読みください。

Make sure to read the “PRECAUTIONS” on page 13.

Lesen Sie unbedingt die “VORSICHTSMASSNAHMEN” auf Seite 22.

Assurez-vous de lire “PRÉCAUTIONS D’USAGE” à la page 31.

Asegúrese de leer “PRECAUCIONES” en la página 40.

Certifique-se de ler “PRECAUÇÕES” na página 49.

Обязательно прочтите разделы «ПРАВИЛА ТЕХНИКИ БЕЗОПАСНОСТИ» на стр. 58.

务请阅读第 67 页 “注意事项”。

76 페이지의 “안전 주의사항” 을 반드시 읽어 주십시오.

PRECAUTIONS

PLEASE READ CAREFULLY BEFORE PROCEEDING

Please keep this manual in a safe and handy place for future reference.



WARNING

Always follow the basic precautions listed below to avoid the possibility of serious injury or even death from electrical shock, short-circuiting, damages, fire or other hazards. These precautions include, but are not limited to, the following:

Do not disassemble

- This product contains no user-serviceable parts. Do not open the units or attempt to disassemble or modify the internal components in any way. If they should appear to be malfunctioning, discontinue use immediately and have it inspected by qualified Yamaha service personnel.
- Repairs or part replacement should not be attempted unless instructions are provided in the manual.

Handling

- Do not use or store the units in any of the following locations. Doing so may cause fire or electric shock.
 - In places subject to high temperatures (near a heating device or in direct sunlight, etc.).
 - In places subject to low temperatures.
 - In places where the units may be exposed to moisture (bathroom, on wet floors, etc.) and excessive humidity.
 - In places where the units may be exposed to rain.
 - In places with excessive dust.
 - In places subject to vibrations.
- Never insert or remove an electric plug with wet hands. Improper grounding may result in electrical shock.
- Never put foreign objects (combustible objects, coins, wire, etc.) or liquids (water, juice, etc.) in the units. Doing so can cause fire or electrical shock.

Power supply/AC adaptor

- Only use the voltage specified as correct for the instrument. The required voltage is printed on the name plate of the instrument.
- Do not place the power cord of the AC adaptor near heat sources such as heaters or radiators. Also, do not excessively bend or otherwise damage the cord or place heavy objects on it.
- Use the specified AC adaptor only. Using the wrong AC adaptor can result in damage to the units or overheating.
- Check the electric plug periodically and remove any dirt or dust which may have accumulated.
- Do not connect the controller unit to an electrical outlet using a multiple-connector. Doing so may cause the outlet to overheat.
- When removing the electric plug from the unit or an outlet, always hold the plug itself and not the cord. Pulling by the cord can damage it.
- Turn off the power switch and remove the electric plug from the outlet when the unit is not being used or during electrical storms.

If you notice any abnormality

- When one of the following problems occur, immediately turn off the power switch, unplug the AC adaptor and have the device inspected by Yamaha service personnel.
 - If the AC adaptor or power cord becomes damaged.
 - If foreign objects or liquids have gotten into the unit.
 - If the unit gets wet (rain, etc.).
 - If the unit operates abnormally or is broken.



CAUTION

Always follow the basic precautions listed below to avoid the possibility of physical injury to you or others, or damage to the units or other property. These precautions include, but are not limited to, the following:

Handling

- Treating the controller or driver roughly may damage the internal circuit board, etc.
- Keep small parts out of the reach of infants. Your children may accidentally swallow them.
- Do not place heavy objects on the units, and do not use excessive force on the buttons, switches or connectors.
- Never touch the rotating pulleys. Doing so may result in pinching your fingers, etc.

Assembly

- Assemble the units in the proper sequence by following the assembly instructions in this manual. Also, make sure to tighten screws and bolts regularly. Failure to do so might result in damage to the units or even injury.
- Use the bolts that comes with the vibraphone.

Transportation and Installation

- Do not place the units in an unstable position where it might accidentally fall over.
- Before moving the instrument, disconnect all cables to prevent damage to the cables and injury to anyone who might trip over them.
- When setting up the instrument, make sure the AC outlet you are using is easily accessible. If some trouble or malfunction occurs, immediately turn off the power switch and disconnect the plug from the outlet. Even when the power switch is turned off, electricity is still flowing to the product at the minimum level. When the unit is not in use for extended periods of time, unplug the power cord from the wall AC outlet.
- When moving the instrument, move it gently avoiding shocks and impacts. The instrument is sensitive to shocks and may become damaged.

Yamaha cannot be held responsible for damage caused by improper use or modifications to the instrument.

Always turn the power off when the instrument is not in use.

NOTICE

- Do not use the units in locations with poor ventilation.
- Parts such as switches, volume control and jacks are called consumable parts and their functions will deteriorate over time. The level of deterioration will vary depending upon the conditions under which the units are used. However, deterioration cannot be completely avoided. When replacing consumable parts, please contact your dealer or qualified Yamaha service personnel.
- Do not place vinyl, plastic or rubber objects on the instrument, since this might discolor the units.
- When cleaning the units, wipe with a soft, dry cloth. Do not use paint thinners, solvents, alcohol, cleaning fluids or chemical-impregnated wiping cloths.

INFORMATION

- The illustrations as shown in this manual are for instructional purposes only and may appear somewhat different from those on your instrument.
- The company and product names in this manual are trademarks or registered trademarks of their respective companies.

The model number, serial number, power requirements, etc., may be found on or near the name plate, which is at the rear of the unit. You should note this serial number in the space provided below and retain this manual as a permanent record of your purchase to aid identification in the event of theft.

Model No.

Serial No.

(rear_en_01)

Introduction

Thank you for purchasing the Yamaha VIBRAPHONE VARIABLE-SPEED DRIVER YVD20 YVD10. The VIBRAPHONE VARIABLE-SPEED DRIVER is a motorized drive unit that rotates the fans of the vibraphone. To get full use of this product and enjoy optimal performance, please read this owner's manual carefully before using the units. After you have read the manual, keep it in a safe and handy place for future reference.

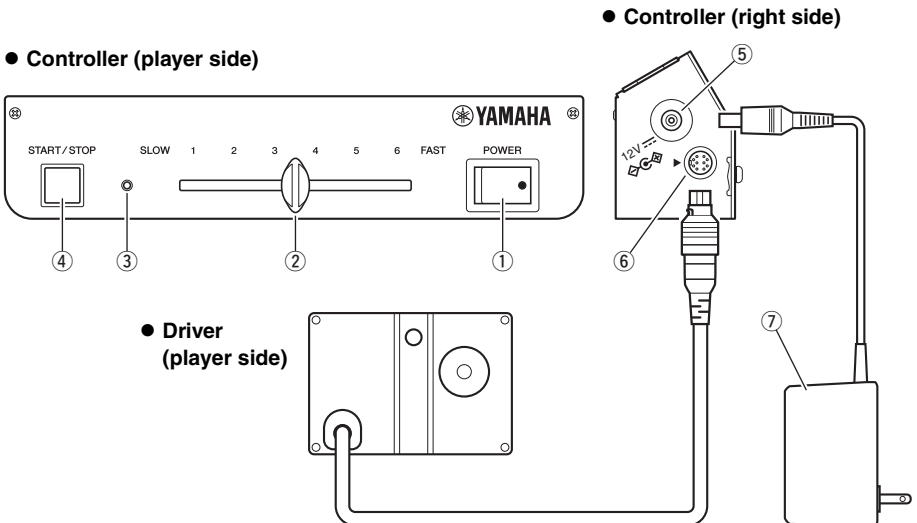
* The illustrations in this manual show the YVD20, but the information applies to the YVD10 (except where indicated).

Part Names and Functions

- ① **POWER switch**
Turns the power on (●) and off.
- ② **Motor speed slider (SLOW 1–6 FAST)**
Adjusts the fan speed.
- ③ **LED indicator**
Lights in green when the power is turned on and flashes while fans are rotating.
Lights in red when an error has occurred. To recover from an error,

remove the factors that hinder fan rotation, and then press the ④ START/STOP button.

- ④ **START / STOP button**
Starts and stops fan rotation.
- ⑤ **Power jack (⬠C⬠)**
- ⑥ **Driver connection terminal**
- ⑦ **AC adaptor (sold separately)**



Confirmation of Packing Contents

The shipping package of the VIBRAPHONE VARIABLE-SPEED DRIVER should contain the parts shown below.

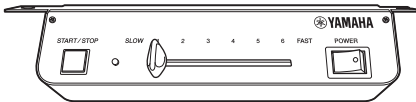
Before assembling the instrument, confirm that all parts are included as listed.

* If a part is missing, please contact your dealer or qualified Yamaha service personnel.

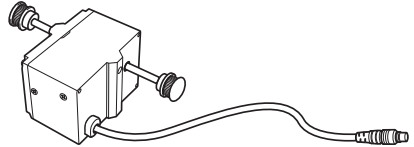
- ① **Owner's Manual
(this document) × 1**



- ② **Controller × 1**



- ③ **Driver × 1**



- ④ **Timing belt × 2
(YVD20) Fan belt × 2
(YVD10)**

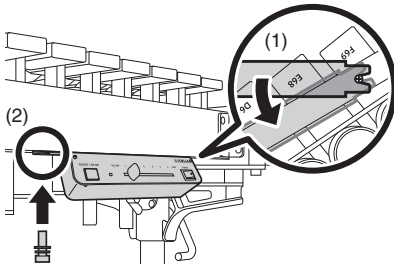


- ⑤ **Yamaha representative or
authorized distributor list × 1**
⑥ **Legal compliance leaflet × 1**

Assembly

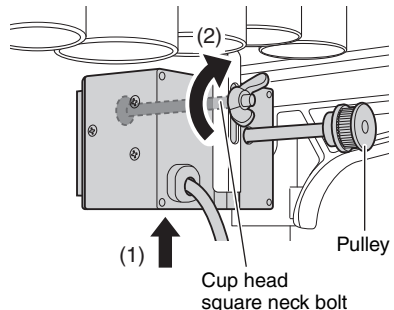
1. Attach the controller.

(1) Hook the notch at the upper part of the controller to the screw that protrudes from the lower front of the treble side of the vibraphone, and then (2) secure the hole on the other side of the upper of the controller using the bolt attached to the vibraphone.



2. Attach the driver.

With the pulley to your right side and the connector end of the cable facing you, (1) insert the driver into the driver attachment from below, and then (2) secure it with the cup head square neck bolt and the wing nut.



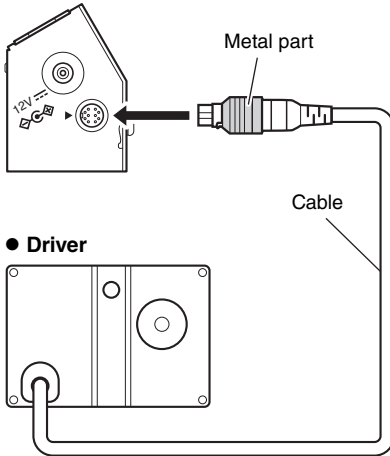
3. Connect the driver and the controller.

Connect the driver cable to the driver connection terminal on the controller. Also, align the flat shape of the connector of the cable with the ► mark printed on the controller.

NOTICE

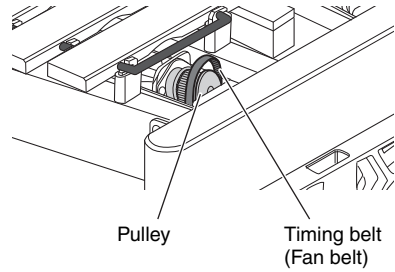
- * Be careful not to break the pins of the cable.
- * The driver connection terminal has a locking function to prevent the cable from being inadvertently disconnected. To prevent damage to the cables, be sure to firmly grip the metal part of the plug when disconnecting the cable.

● Controller

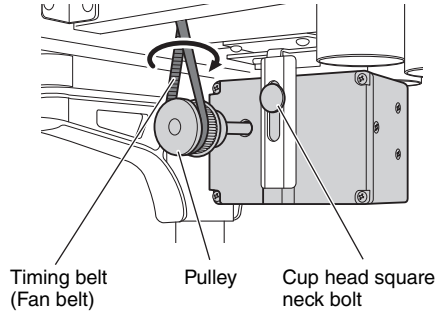


● Driver

● Fan side



● Driver side



4. Set the timing belt (fan belt).

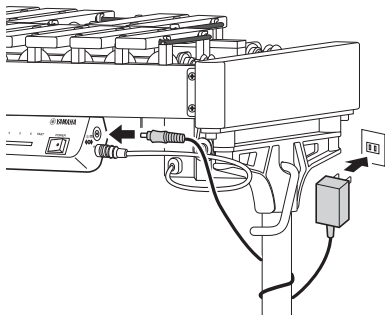
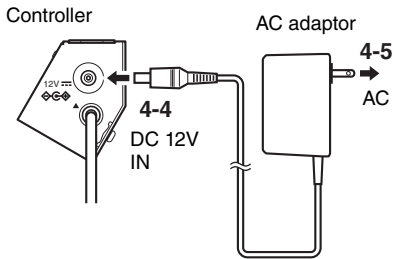
- 4-1.** First, wrap the belt around the vibraphone (fan) pulley, and then twist and hook the belt on the pulley of the driver.

If the distance between pulleys is too wide to fit the belt, first loosen the wing nut and then adjust the tension of the belt. After adjusting the tension, tighten the wing nut firmly.

■ In the case of the YVD20

- 4-2.** Lower the position of the driver until the tension of the belt is sufficient.
- 4-3.** Prepare a separately sold AC adaptor.
- 4-4.** Connect the DC plug of the AC adaptor to the power jack (◊◊◊◊).

4-5. Connect the electric plug of the AC adaptor to an outlet.



* In order to prevent the DC plug from coming out unintentionally, we recommend wrapping the power cord once around the body leg (as shown) before connecting.

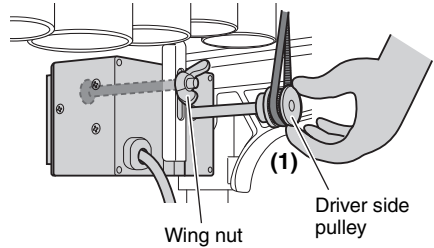
4-6. Turn on the controller power.
The driver returns to its default position.

4-7. Adjust the position of the fan.

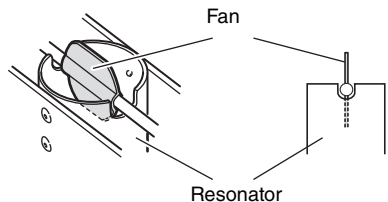
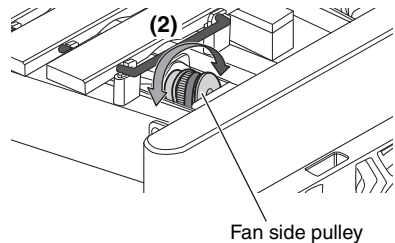
4-7-1. Loosen the wing nut to loosen the tension of the belt.

4-7-2. In order to position the fan vertically, hold the pulley on the driver side with one hand (1) so that it does not move, and then rotate the pulley on the fan side with your other hand (2).

● **Driver side**



● **Fan side**



NOTE

Perform this setting for both the natural and the accidental tone side.

4-8. Tighten the wing nut firmly.

■ **In the case of the YVD10**

Prepare the power supply in the same way as Steps 4-3 to 4-5 (page 18).

The assembly is now complete.

* Order a replacement timing belt (sold separately) or fan belt (sold separately) using the following number. When ordering, please contact your dealer or qualified Yamaha service personnel. Replace the two timing belts (fan belts) at the same time.

| Model | YVD20 | YVD10 |
|-----------|-------------|----------|
| Part No. | W5128092 | W5128070 |
| Part name | Timing belt | Fan belt |

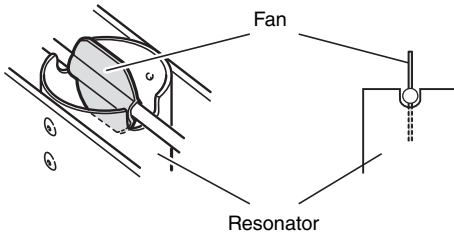
NOTE

When using for a long time, the fan belt will stretch and the pulley will run idle. If this happens, adjust the tension of the fan belt by slightly lowering the mounting position of the driver unit.

■ PAUSE MEMORY FUNCTION SETTING (YVD20 only)

The YVD20 is equipped with a PAUSE MEMORY FUNCTION which stops the fan always in exactly the same position when it is turned off (no vibrato applied).

Set the PAUSE MEMORY to the desired fan stop position in the same way as Steps **4-6** to **4-8** (page 19).



We recommend that you set the fan to a vertical position, to ensure the strongest resonator effect.

Specifications

- Rated speed: 30–145 RPM
- Power consumption: 3 W
- Operating temperature range: 5–40 degrees Celsius
- Dimensions (W × H × D)
 - Controller: 172 × 67 × 43 mm
 - Driver: 92.8 × 65.5 × 183 mm (excluding the cable; approx. 250 mm)
- Weight:
 - YVD20: 0.6 kg (including the timing belt)
 - YVD10: 0.6 kg (including the fan belt)
- Included accessories: Timing belt (YVD20), Fan belt (YVD10)
- Separately sold accessories (May not be available depending on your area):
 - AC adaptor (PA-130: output DC12V 1.0A, PA-130B: output DC12V 0.7A, PA-150B: output DC12V 1.5A or an equivalent recommended by Yamaha)

* The contents of this manual apply to the latest specifications as of the publishing date. To obtain the latest manual, access the Yamaha website and then download the manual file. Since specifications, equipment or separately sold accessories may not be the same in every locale, please check with your Yamaha dealer.

Information for users on collection and disposal of old equipment:



This symbol on the products, packaging, and/or accompanying documents means that used electrical and electronic products should not be mixed with general household waste.

For proper treatment, recovery and recycling of old products, please take them to applicable collection points in accordance with your national legislation.

By disposing of these products correctly, you will help save valuable resources and prevent any potential negative effects on human health and the environment which could otherwise arise from inappropriate waste handling.

For more information about collection and recycling of old products, please contact your local municipality, your waste disposal service or the point-of-sale where you purchased the items.

For business users in the European Union:

If you wish to discard electrical and electronic equipment, please contact your dealer or supplier for further information.

Information on Disposal in other Countries outside the European Union:

This symbol is only valid in the European Union. If you wish to discard these items, please contact your local authorities or dealer and ask for the correct method of disposal.

雅马哈乐器音响（中国）投资有限公司

上海市静安区新闻路1818号云和大厦2楼

客户服务热线：4000517700

公司网址：<http://www.yamaha.com.cn>

制造商：雅马哈株式会社

制造商地址：日本静冈县滨松市中区中泽町10-1

进口商：雅马哈乐器音响（中国）投资有限公司

进口商地址：上海市静安区新闻路1818号云和大厦2楼

原产地：日本

YAMAHA CORPORATION

10-1 Nakazawa-cho, Naka-ku,
Hamamatsu, 430-8650 Japan

ヤマハ株式会社

〒430-8650 静岡県浜松市中区中沢町10-1

Manual Development Group

© 2021 Yamaha Corporation

Published 03/2021 2021年3月发行

POOD-B0

VDE9920