



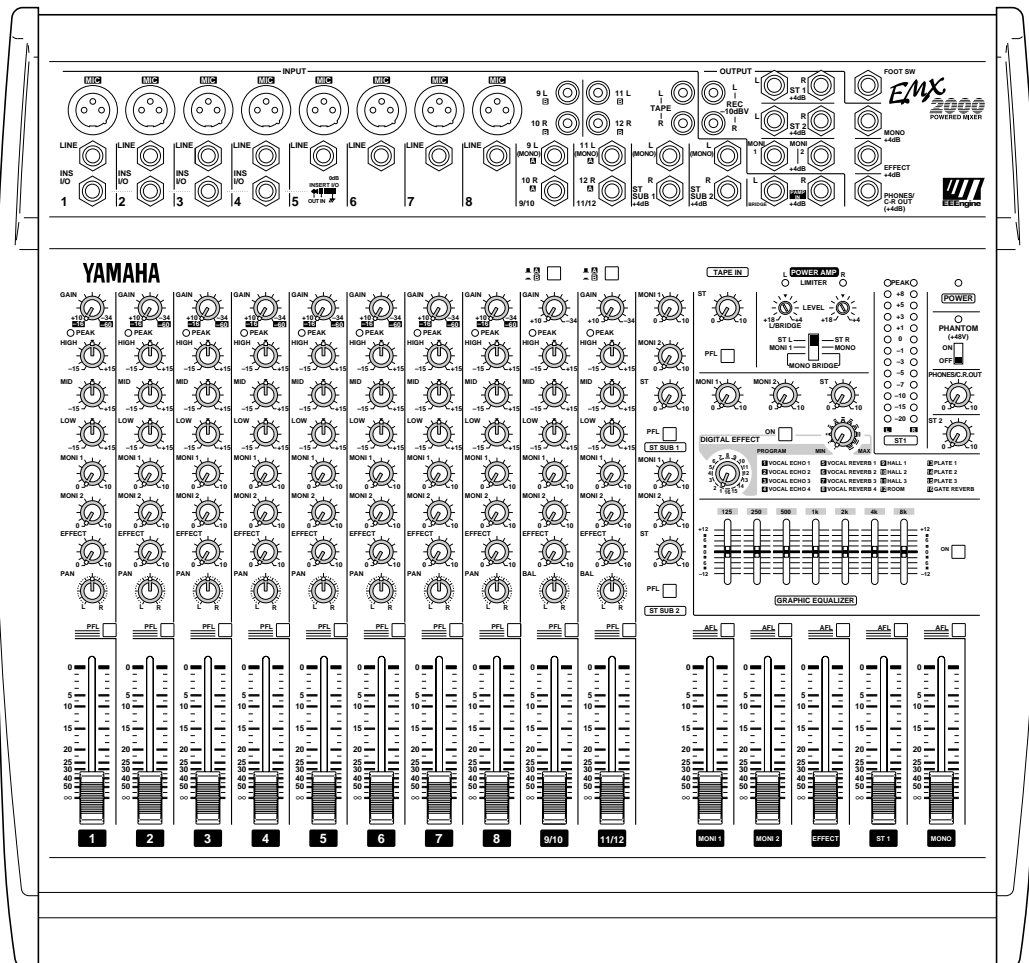
YAMAHA

EMX

2000

POWERED MIXER

Owner's Manual



FCC INFORMATION (U.S.A.)

1. **IMPORTANT NOTICE: DO NOT MODIFY THIS UNIT!** This product, when installed as indicated in the instructions contained in this manual, meets FCC requirements. Modifications not expressly approved by Yamaha may void your authority, granted by the FCC, to use the product.
2. **IMPORTANT:** When connecting this product to accessories and/or another product use only high quality shielded cables. Cable/s supplied with this product **MUST** be used. Follow all installation instructions. Failure to follow instructions could void your FCC authorization to use this product in the USA.
3. **NOTE:** This product has been tested and found to comply with the requirements listed in FCC Regulations, Part 15 for Class "B" digital devices. Compliance with these requirements provides a reasonable level of assurance that your use of this product in a residential environment will not result in harmful interference with other electronic devices. This equipment generates/uses radio frequencies and, if not installed and used according to the instructions found in the users manual, may cause interference harmful to the operation of other electronic devices. Compliance with FCC regulations does not guarantee that interference will not occur in all installations. If this product is found to be the source of interference, which can be determined by turning the unit "OFF" and "ON", please try to eliminate the problem by using one of the following measures: Relocate either this product or the device that is being affected by the interference. Utilize power outlets that are on different branch (circuit breaker or fuse) circuits or install AC line filter/s. In the case of radio or TV interference, relocate/reorient the antenna. If the antenna lead-in is 300 ohm ribbon lead, change the lead-in to coaxial type cable. If these corrective measures do not produce satisfactory results, please contact the local retailer authorized to distribute this type of product. If you can not locate the appropriate retailer, please contact Yamaha Corporation of America, Electronic Service Division, 6600 Orangethorpe Ave, Buena Park, CA 90620

This applies only to products distributed by YAMAHA CORPORATION OF AMERICA.

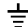
WARNING: THIS APPARATUS MUST BE EARTHED

IMPORTANT

THE WIRES IN THIS MAINS LEAD ARE COLOURED IN ACCORDANCE WITH THE FOLLOWING CODE:

GREEN-AND-YELLOW :	EARTH
BLUE :	NEUTRAL
BROWN :	LIVE

As the colours of the wires in the mains lead of this apparatus may not correspond with the coloured markings identifying the terminals in your plug, proceed as follows:

The wire which is coloured GREEN and YELLOW must be connected to the terminal in the plug which is marked by the letter E or by the safety earth symbol  or coloured GREEN and YELLOW.

The wire which is coloured BLUE must be connected to the terminal which is marked with the letter N or coloured BLACK.

The wire which is coloured BROWN must be connected to the terminal which is marked with the letter L or coloured RED.

* This applies only to products distributed by YAMAHA KEMBLE MUSIC (U.K.) LTD.

Introduction

Thank you for purchasing the Yamaha EMX2000 Powered Mixer. In order to take full advantage of the EMX2000 and enjoy long, trouble-free performance, please read this owner's manual carefully, and keep it in a safe place for future reference.

Features

- The EMX2000 provides versatile inputs, such as two stereo input channels and two stereo sub inputs, as well as eight monaural input channels compatible with mic/line signals. The mixer also has ample power, with a maximum output of 200 W+200 W (400 W with bridge connection), and is suitable for a wide range of applications from installed systems to small-scale PA systems.
- A two-channel power amp is built-in. The signals output to speakers can be selected as stereo main (ST L-R), monitor+monaural main (MONI 1-MONO), or monaural main (bridge connection).
 - Stereo main
The main stereo mix signal is output from speaker output jacks L and R of the EMX2000. You can connect one or two speakers to each speaker output jack.
 - Monitor+monaural main
The main monaural mix signal is output from speaker output jack R, and the monitor signal from speaker output jack L. You can connect one or two speakers to each speaker output jack.
 - Monaural main (bridge connection)
The two-channel power amp is bridge-connected, and the main monaural mix signal is output from BRIDGE jack. You can connect only one speaker for a much louder sound.
- In addition to the speaker output jacks, two stereo output channels for line-level signals, two monitor output channels, one effect output, and one monaural output are provided. You can easily expand the system by adding a power amplifier or powered speakers.
- The EMX2000 also has a PHONES C-R OUT jack, which is very useful for checking the sound. You can monitor only a specific channel or bus signal through the headphones.
- Two limiter circuits are built-in to prevent excessive input levels to the amp.
- A digital effect with sixteen selectable effect types is built-in. A variety of effects can be applied to add reverberation or ambience to vocals or instrumental sounds.
- The EMX2000 has implemented “EEEngine”, Yamaha's epochal amp drive technology to create an unrivaled high-efficiency drive. The EEEngine's energy-saver/low-heat-generation design has reduced power consumption to 50% or less, and reduced heat generation to 35% or less (in field applications, compared to Yamaha's previous models), and has led to a reduction in energy cost and to less-restrictive installation requirements related to heat generation.

Precautions

1. Avoid excessive heat, humidity, dust and vibration

Keep the unit away from locations where it is likely to be exposed to high temperatures or humidity — such as near radiators, stoves, etc. Also avoid locations which are subject to excessive dust accumulation or vibration which could cause mechanical damage.

2. Ventilation

Allow a distance of 30 cm between the unit and the wall so that heat generated from the unit will be released effectively. Also, allow enough space between the unit and other devices. If you mount the unit in an audio rack, keep a space of 40 cm on the top panel, and a space of 15 cm to the side panel. Remove the rear panel of the rack or open a vent hole. If heat release is inadequate, the unit will retain heat inside the unit, which may cause a fire.

3. Avoid physical shocks

Strong physical shocks to the unit can cause damage. Handle it with care.

4. Do not open the case or attempt repairs or modifications yourself

This product contains no user-serviceable parts.

Refer all maintenance to qualified Yamaha service personnel. Opening the case and/or tampering with the internal circuitry voids the warranty.

5. Always power off before making connections

Always turn the power OFF before connecting or disconnecting cables. This is important to prevent damage to the unit itself as well as other connected equipment.

6. Handle cables carefully

Always plug and unplug cables — including the AC power cord — by gripping the connector, not the cord.

7. Clean with a soft dry cloth

Never use solvents such as benzine or thinner to clean the unit. Wipe clean with a soft, dry cloth.

8. Always use the correct power supply

Make sure that the power supply voltage specified on the rear panel matches your local AC mains supply. Also make sure that the AC mains supply can deliver more than enough current to handle all equipment used in your system.

9. Do not touch the heatsink when the EMX2000 is in use. It can get very hot.

Contents

Front and rear panel.....	4
Control panel.....	4
Input/output panel.....	9
Rear panel.....	11
Connections.....	12
Connecting speakers.....	12
Connecting input/output equipment.....	12
Basic operation.....	13
Connecting microphones and instruments .	13
Using the digital effect.....	13
Example setups.....	14
As a band PA.....	14
As a conference/entertainment hall sound system	15
Using a subwoofer	16

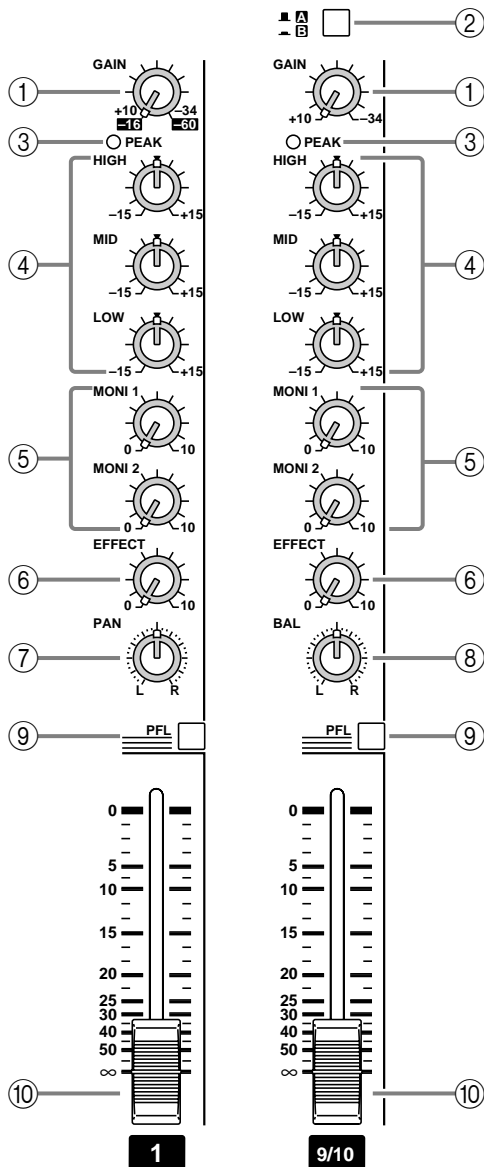
Specifications.....	17
General specifications.....	17
Input specifications	18
Output specifications	18
Dimensions.....	19
Block/Level Diagram.....	20

Front and rear panel

Control panel

■ Channel control section

In this section, you can adjust equalization (frequency response), volume level, effect and monitor output levels for the input signal of each channel.



① GAIN control

Use this knob to adjust the sensitivity according to the input signal level, so that the input level is appropriate.

For the best balance of S/N ratio and dynamic range, adjust this knob so that the peak indicator

③ lights occasionally.

② A/B switch (Channels 9/10~11/12 only)

This switch selects channel 9/10~11/12 connectors.

When the switch is up, the signal will be input from connectors A (phone jacks on the input/output panel ③).

When the switch is pressed in, the signal will be input from connectors B (phono jacks on the input/output panel ③).

③ PEAK indicator

The indicator will light 3 dB before clipping, warning that clipping level is near.

④ Equalizer controls (HIGH, MID, LOW)

This is a 3-band equalizer that adjusts the high frequency range, mid frequency range, and low frequency range of each channel. Response is flat when the knobs are in the “▼” position. Rotating it toward the right will boost the corresponding frequency band, and rotating it toward the left will cut it.

The base frequency (or center frequency), range of boost or cut, and equalizer type of each band are as follows:

HIGH: 10kHz, ± 15 dB, shelving type

MID: 2.5kHz, ± 15 dB, peaking type

LOW: 100Hz, ± 15 dB, shelving type

⑤ Monitor 1/2 controls (MONI 1/2)

For each channel, this controls the amount of signal that is sent to the MONITOR 1/2 buses.

The signal of the MONITOR 1 bus is sent to the MONI 1 jack (input/output panel ⑨). If the power amp select switch ⑳ is in the MONI 1-MONO position, the signal is also sent to the speakers connected to the SPEAKERS L1/2 jacks.

The signal of the MONITOR 2 bus is sent to the MONI 2 jack (input/output panel ⑨).

Note: The signal sent to the MONITOR 1/2 buses does not pass through the channel fader ⑩ (pre-fader send). This means that it will not be affected by the setting of the channel fader.

⑥ Effect control (EFFECT)

For each channel, this controls the amount of signal that is sent to the EFFECT bus.

The signal of the EFFECT bus is sent to the EFFECT jack (input/output panel ⑪). It is also sent to the built-in effect when the ON switch ⑳ in the EFFECT section is turned on.

Note: The amount of signal that is sent to the EFFECT bus from each channel will be affected not only by the setting of the EFFECT control, but also by the setting of the channel fader ⑩ (post-fader send).

⑦ PAN (panpot) control (Channels 1~8)

The PAN knobs set the stereo position of the signal that is sent to the STEREO bus.

⑧ BAL (balance) control (Channels 9/10~11/12)

The BAL knobs set the balance between the left and right channels, and assign the signals received at inputs 9/10~11/12 to the STEREO bus.

⑨ PFL (pre-fader listen) switch

When the PFL switch is turned on, the signal of the corresponding channel at the point after the equalization but before the channel fader is sent to the PHONES/C-R OUT jack (input/output panel ⑫). This is useful when you wish to listen to a particular channel through the headphones.

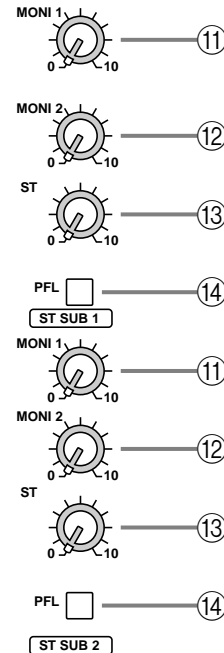
Note: You can monitor the signal through the headphones even if the fader of the corresponding channel is set to the lowest level. The switch operation does not affect the signal sent to the STEREO bus, MONITOR 1/2 buses, or the EFFECT bus.

⑩ Channel fader

This controls the output level of the input channel signal.

■ Stereo sub input section

In this section, you can adjust the input level of external equipment connected to the ST SUB 1/2 jacks on the input/output panel.



⑪ MONI 1 (monitor 1) control

The MONI 1 knob adjusts the amount of the signal sent from the ST SUB 1 and 2 jacks (input/output panel ④) to the MONITOR 1 bus.

⑫ MONI 2 (monitor 2) control

The MONI 2 knob adjusts the amount of the signal sent from the ST SUB 1 and 2 jacks to the MONITOR 2 bus.

⑬ ST (stereo) control

The ST knob adjusts the amount of stereo signal sent from the ST SUB 1 and 2 jacks to the STEREO bus.

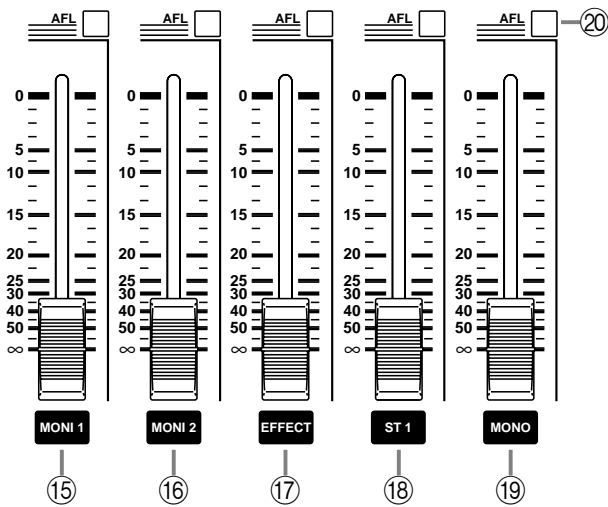
Note: The ST control setting does not affect the level of the signal sent to the MONITOR 1/2 buses (pre-fader send).

⑭ PFL (pre-fader listen) switch

When this switch is turned on, the signal at the point before the ST control knob ⑬ is sent to the PHONES/C-R OUT jack (input/output panel ⑫).

■ Master control section

In this section, you can adjust the final level of the outputs.



⑮ MONI 1 (monitor 1) fader

The MONI 1 fader adjusts the final level of the signal sent from the MONITOR 1 bus to the MONI 1 jack (input/output panel ⑨). If the Power amp select switch ⑳ is set to MONI 1-MONO, using this fader enables you to adjust the level of the signal sent from the SPEAKER L 1/2 jacks to the speakers.

⑯ MONI 2 (monitor 2) fader

The MONI 2 fader adjusts the final level of the signal output from the MONITOR 2 bus to the MONI 2 jack (input/output panel ⑨).

⑰ EFFECT fader

The EFFECT fader adjusts the final level of the signal output from the EFFECT bus to the EFFECT jack (input/output panel ⑪).

Note: The setting of this fader does not affect the level of the signal sent from the EFFECT bus to the built-in effect.

⑱ ST 1 (stereo 1) fader

The ST 1 fader adjusts the final level of the signal sent from the STEREO bus to the ST 1 jacks (input/output panel ⑧). If the Power amp select switch ⑳ is set to ST L-ST R, this fader also adjusts the level of the signal sent to the SPEAKERS jacks (rear panel ①).

Note: The setting of this fader does not affect the signal output from the STEREO bus to the ST 2 jacks.

⑲ MONO (monaural) fader

The MONO fader adjusts the final level of the monaural signal output from the STEREO bus to the MONO jack (input/output panel ⑩).

If the Power amp select switch ⑳ is set to MONI 1-MONO, this fader also adjusts the level of the signal sent from the SPEAKERS R 1/2 jacks to the speakers.

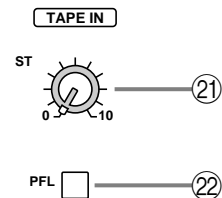
If the Power amp select switch ⑳ is set to MONO BRIDGE, this fader adjusts the level of the signal sent from the SPEAKERS BRIDGE jack to the speaker.

⑳ AFL (after fader listen)

When this switch is on, the output signal that passes through the corresponding fader is sent to the PHONES/C-R OUT jack (input/output panel ⑫). Use these switches when you wish to monitor a particular output signal through the headphones.

■ Tape in section

In this section, you can adjust the input level of a cassette deck or a CD player that is connected to the TAPE jacks (input/output panel ⑤).



㉑ ST (stereo) control

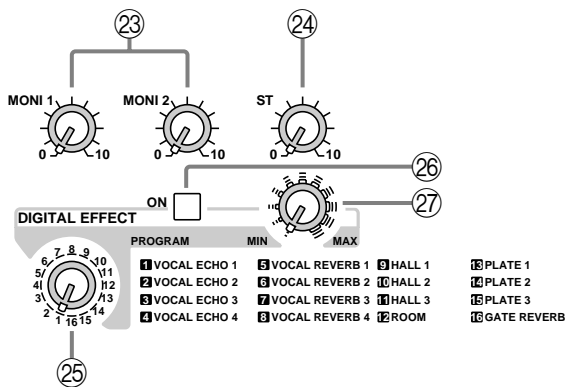
This knob adjusts the level of the signal sent from the TAPE jacks to the STEREO bus.

㉒ PFL (pre-fader listen) switch

When this switch is on, the signal input from the TAPE jacks is routed at the point before the ST control to the PHONES/C-R OUT jack (input/output panel ⑫).

■ Digital effect section

This section enables you to turn the built-in digital effect on/off and select the effect type.



②③ MONI 1/2 (monitor 1/2) control

This knob adjusts the level of the return signal that is sent from the built-in digital effect to the MONITOR 1/2 buses.

②④ ST (stereo) control

This knob adjusts the level of the return signal that is sent from the built-in digital effect to the STEREO bus.

②⑤ Effect selector

This knob selects the effect type for the internal digital effect.

②⑥ ON switch

This switch turns the internal digital effect on/off.

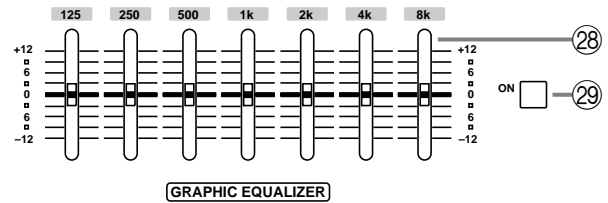
②⑦ Effect control

This knob adjusts the time parameter of the internal digital effect.

Note: The master EFFECT fader setting does not affect the internal digital effect signal.

■ Graphic equalizer section

This section enables you to adjust the tone of the STEREO bus signal.



②⑧ Graphic equalizer

This is a 7-band graphic equalizer that allows you to adjust the frequency response of the STEREO bus signal, providing a maximum of ± 12 dB of cut/boost for each frequency band.

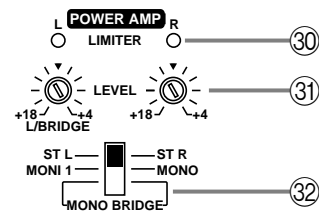
This graphic equalizer affects both the STEREO bus signal that is output to the speakers and the line level signal that is output from the ST 1/2 jacks (input/output panel ⑧), and MONO jack (input/output panel ⑩).

②⑨ ON switch

This switch turns the graphic equalizer on/off.

■ Power amp section

This section allows you to select the signals that will be input to the built-in two-channel power amplifier.



③⑩ LIMITER indicator

This indicator lights up when the level of the signal output from the power amp section reaches the maximum and the limiter is activated. Adjust the LEVEL control ③① and appropriate fader so that the indicator lights up for only a short while when the signal reaches the maximum level.

Note: The indicator lights up or flashes for a longer duration if the power amp section is significantly overloaded, which could result in malfunction. Avoid such a situation.

③① LEVEL controls

These knobs enable you to adjust the level of the signals input from the mixer section to the power amp section. Rotating the knob clockwise will raise the level of the input signal. Use a screwdriver of a width of 3mm or less to adjust the knob.

If an external piece of equipment is connected to the P.AMP IN jacks (input/output panel ⑥), these knobs adjust the input sensitivity of the power amp (the input level that will provide the maximum output level in the power amp section). The sensitivity range is +18 dB~+4 dB, and rotating the knobs clockwise raises the input sensitivity.

Note: If the Power amp select switch ③② is set to MONO BRIDGE, only the L/BRIDGE LEVEL control becomes effective.

③② Power amp select switch

Select one of the following three settings to specify the signals to be routed to the corresponding jacks according to the speaker connection at the SPEAKER jacks ① on the rear panel.

- ST L-ST R

The STEREO bus signals are output from the SPEAKERS L 1/2 jacks and the SPEAKERS R 1/2 jacks. The final level of these signals is adjusted by the master ST 1 fader.

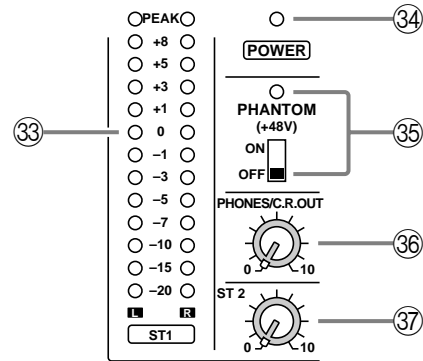
- MONI 1-MONO

The MONITOR 1 bus signals are output from the SPEAKERS L 1/2 jacks, and a monaural signal that is a mix of the STEREO bus signals is output from the SPEAKERS R 1/2 jacks. The final level of these signals is adjusted by the master MONI 1 fader and the MONO fader.

- MONO BRIDGE

The monaural signal that is a mix of the STEREO bus is output from the BRIDGE jack. The final level of this signal is adjusted by the master MONO fader. Set the switch to this position when you connect only one speaker to play a loud sound.

■ Other indicators and controls



③③ Peak level indicator

This indicator allows you to monitor the level of the signal output from the ST 1 jacks. The “0” indicator lights up when the output level reaches +4 dB.

③④ POWER indicator

This indicator will light up when the power of the EMX2000 is turned on.

③⑤ PHANTOM (+48V) switch and indicator

This switch turns the phantom power supply on/off for the MIC input jacks for channels 1~8. When this switch is on, the indicator lights up.

③⑥ PHONES/C.R.OUT (headphones/control room out) control

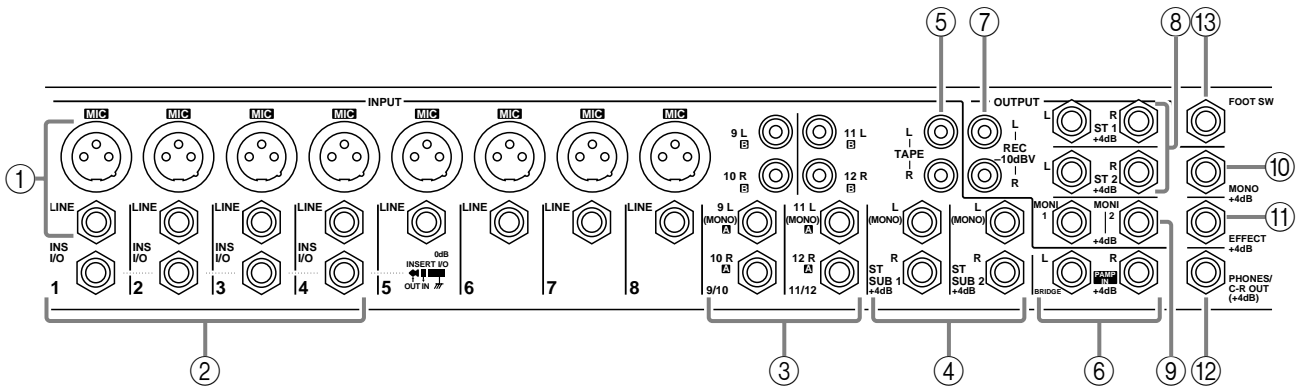
This knob adjusts the level of the signal monitored via the PHONES/C-R OUT jack (input/output panel ⑫).

③⑦ ST 2 (stereo 2) control

This knob adjusts the final level of the signal sent from the STEREO bus to the ST 2 jacks (input/output panel ⑧).

Note: The setting of this control does not affect signals that are sent from the STEREO bus to the ST 1 jacks and the SPEAKERS jacks.

Input/output panel



① Channel input jacks (MIC, LINE) 1~8

These are the input jacks for channels 1~8.

By using the GAIN control (control panel ①) you can connect any of the jacks to a wide range of sources, from mics to line-level devices (including synthesizers and rhythm machines). The MIC jacks can provide +48V phantom power, allowing you to use condenser microphones.

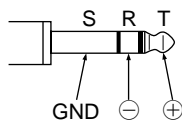
Both MIC and LINE are balanced.

They are compatible with microphones of output impedance 50~600Ω or line level devices of 600Ω. The nominal input level is -34 dB~+10 dB for the LINE jacks, and -60 dB~-16 dB for the MIC jacks.

Pin connections for the MIC and LINE jacks are as follows:

MIC jacks (XLR type)	LINE jacks (TRS phone jacks) *
Pin 1: ground	Sleeve: ground
Pin 2: hot (+)	Tip: hot (+)
Pin 3: cold (-)	RIng: cold (-)

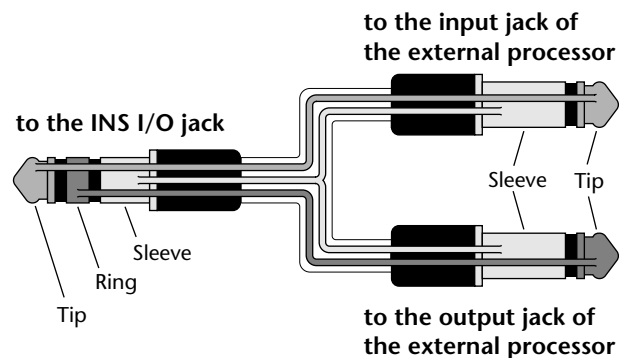
* You can also connect a normal unbalanced phone plug.



Note: It is not possible to simultaneously use both the MIC and LINE inputs of a given channel. For each channel, use only one of the inputs as appropriate for the input source. Phantom power is switched on/off simultaneously for channels 1~8. For this reason, devices (in particular, unbalanced devices) other than condenser microphones must be connected to the LINE jacks of channels 1~8 or channel 9/10~11/12 input jacks if the PHANTOM +48V switch (control panel ③⑤) is on.

② INS I/O (insert) jacks 1~4

These are TRS phone jacks that enable you to insert an external effect processor, such as a compressor/limiter, between the equalizer and fader of input channels 1~4. These connections require a special “Y” cable, such as shown in the following diagram. The nominal input/output levels are 0 dB.



③ Channel input jacks 9~12A

Channel input jacks 9~12B

These are the input jacks for channels 9/10~11/12 and are used to connect to the stereo output jacks of electronic instruments, cassette decks, or CD players.

Use the A/B switch (control panel ②) to select phone jacks (A) or phono jacks (B). The nominal input level $-34\text{ dB}\sim+10\text{ dB}$.

Note: Use only the L phone (A) jacks to connect a monaural device that has phone jacks.

④ ST SUB 1 (stereo sub 1) jacks

ST SUB 2 (stereo sub 2) jacks

These phone jacks are used to connect stereo outputs of a sub mixer. The signal input here can be routed to the MONITOR 1 bus, MONITOR 2 bus, and STEREO bus. The nominal input level is $+4\text{ dB}$.

Note: Use only the L jack to connect a monaural output device.

⑤ TAPE jacks

These are input jacks that allow the signal from an external device, such as a tape deck and CD player, to be added to the STEREO bus. The nominal input level is -10 dBV .

⑥ P.AMP IN (power amp input) jacks

These phone jacks are used to input line-level signals to the two-channel built-in power amplifier. Connect an external mixer output here. The nominal input level is $+4\text{ dB}$.

Note: If you insert a plug into this jack, the corresponding channel of the power amplifier will be isolated, and no signals will be sent from the mixer section. Use the LEVEL control (control panel ③) to adjust the level of the signal input to the power amplifier.

⑦ REC (record) jacks

These phono jacks are used to connect to the inputs of a recording device, such as a tape deck, to record the signal from the STEREO bus. The nominal output level is -10 dBV .

Note: The setting of the graphic equalizer or LEVEL control on the control panel does not affect the signals output from these jacks. Adjust the recording level on the recording device.

⑧ ST 1 (stereo 1) jacks

ST 2 (stereo 2) jacks

These phone jacks output the line-level signals of the STEREO bus. Connect an external mixer or additional PA system to these jacks.

Use the ST 1 fader (control panel ⑱) to adjust the final output level at the ST 1 jacks, and use the ST 2 control (control panel ⑳) to adjust the final output level at the ST 2 jacks. The nominal output level is $+4\text{ dB}$.

⑨ MONI 1 (monitor 1) jack

MONI 2 (monitor 2) jack

These phone jacks output the line-level signals of the MONITOR 1/2 buses. Connect stage-monitoring amplifiers or powered speakers here. Use the MONI 1 fader (control panel ⑮) and the MONI 2 fader (control panel ⑯) respectively to adjust the final level of the signals output from these jacks. The nominal output level is $+4\text{ dB}$.

⑩ MONO (monaural) jack

This phone jack mixes the STEREO bus signals and output a monaural signal. Connect an additional PA system here. Use the MONO fader (control panel ⑲) to adjust the final level of the signal output from this jack. The nominal output level is $+4\text{ dB}$.

⑪ EFFECT jack

The input of an external effect unit such as a delay or echo can be connected to this jack.

The signal adjusted by the EFFECT control of each channel will be sent to the EFFECT bus, its level adjusted by the EFFECT fader (control panel ⑰), and output from this jack.

The nominal output level is $+4\text{ dB}$.

⑫ PHONES/C-R OUT (headphones/control room out) jack

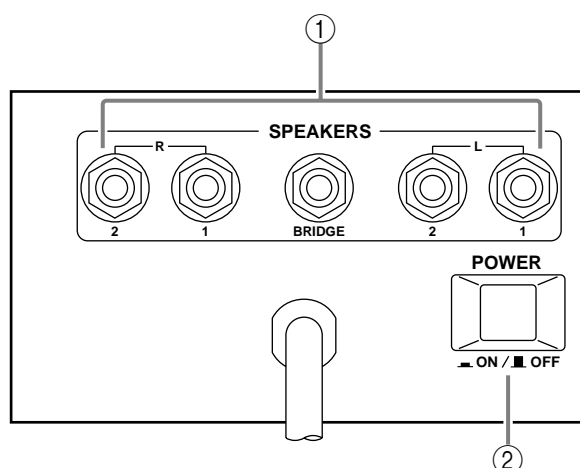
This is a stereo phone type output jack, and is used to monitor the channels selected by the PFL switches on the front panel and the buses selected by the AFL switches. Connect the headphones here, or use a “Y” cable to connect to a monitor system.

The nominal output is 3 mW when headphones are connected, and $+4\text{ dB}$ when a line-level device of a monitor system is connected.

⑬ FOOT SW (foot switch) jack

A separately sold Yamaha FC5 foot switch can be connected to this jack so you can use your foot to switch the built-in digital effect on/off. The digital effect ON switch on the front panel must be set to ON in order to use a foot switch.

Rear panel



Caution:

When using a bridge connection, do not connect anything to the SPEAKERS L or SPEAKERS R jacks.

Likewise, when using the SPEAKERS L and/or SPEAKERS R jacks, do not connect anything to the BRIDGE jack.

① SPEAKERS (speaker output) jacks

Speakers can be connected to these jacks.

The type of signals output, the number of speakers you can connect, and acceptable impedance differ depending on the setting of the Power amp select switch (control panel ⑩).

• When the Power amp select switch is set to ST L-ST R or MONI 1-MONO:

You can connect one or two speakers to each of the L and R jacks.

When the Power amp select switch is set to ST L-ST R, the speakers connected to the L and R jacks will output the ST L and ST R bus signals. When the switch is set to MONI 1-MONO, the speakers will output the MONITOR L signal and the monaural signal respectively.

Whichever way the switch is set to, connect 4~8Ω speakers if you use one speaker per channel. The maximum output is 200W+200W with two 4Ω speakers.

If you wish to use two speakers per channel, use 8~16Ω speakers. The maximum output is 200W+200W with 8Ω impedance.

• When the Power amp select switch is set to MONO BRIDGE:

If you are connecting a single speaker to the BRIDGE jack, use a 8~16Ω speaker. The speaker outputs the MONO bus signal, and the maximum output is 400W with 8Ω impedance.

If the signal output from the BRIDGE jack is the signal input to the P.AMP IN jack, be sure to input the signal to the P.AMP IN L jack.

② POWER switch

This switch turns on/off the power to the EMX2000.

Note: Before turning on the power to the EMX2000, be sure to turn down the LEVEL control ⑪ on the control panel.

Connections

When connecting various devices, be sure to use cables and plugs of the appropriate standard.

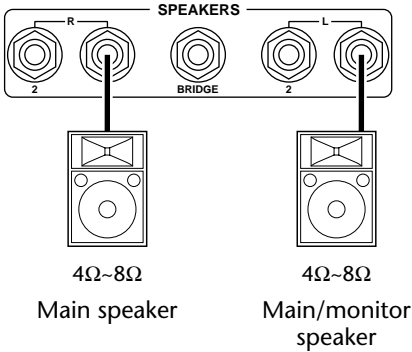
Connecting speakers

There are three ways in which speakers can be connected to the EMX2000.

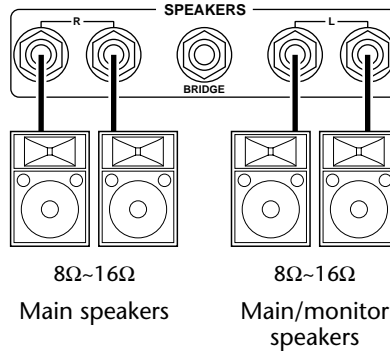
- ① **Connecting a single speaker to each of the L and R jacks:**
A single speaker each can be connected to either jack 1 or jack 2 of SPEAKERS L and of SPEAKERS R.
- ② **Connecting two speakers to each of the L and R jacks:**
Two speakers can be connected in parallel to both jack 1 and jack 2 of SPEAKERS L and SPEAKERS R.

- ③ **BRIDGE connection:**
A single speaker can be connected to the BRIDGE jack.
For each of these, the required speaker impedance will differ. Refer to the following diagram, and make sure that the speaker impedance is not less than the specified value.

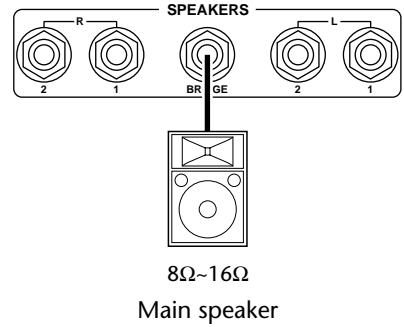
Connecting one speaker to each of the L/R jacks



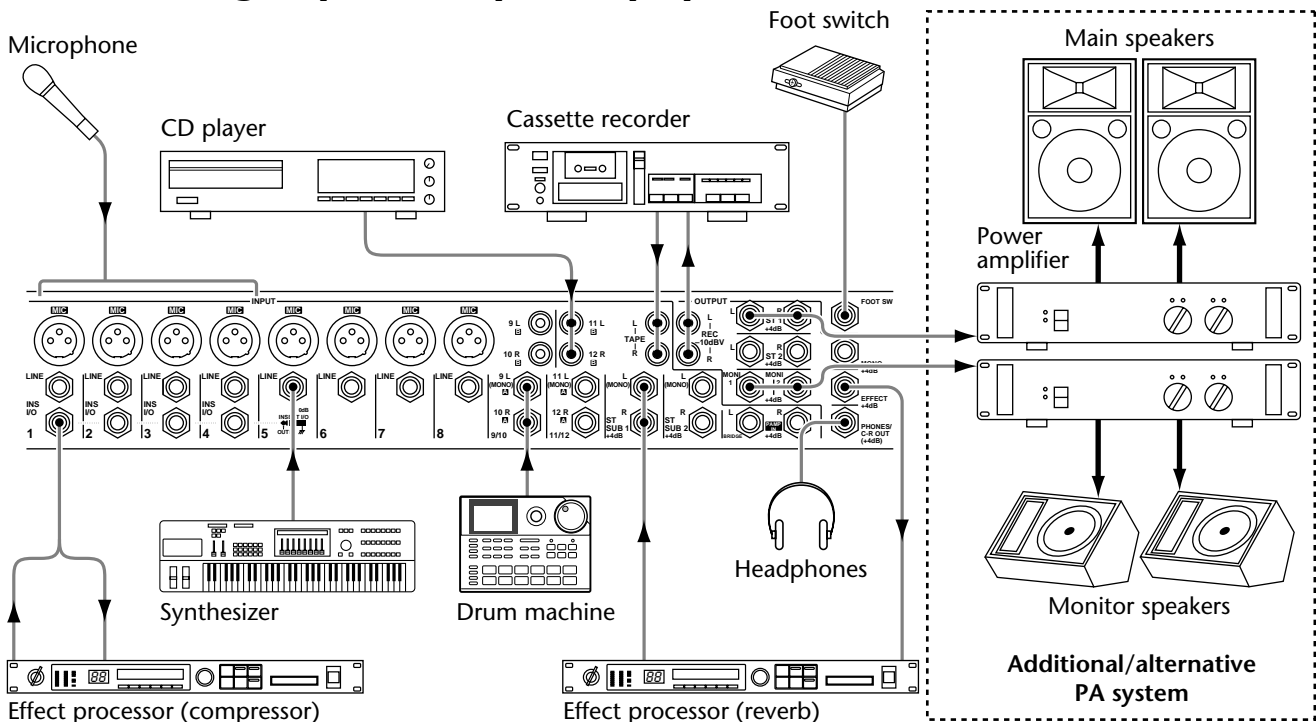
Connecting two speakers to each of the L/R jacks



Connecting a single speaker to the BRIDGE jack



Connecting input/output equipment



• An additional or alternative PA system can be connected to the ST 1/2, MONO, and MONI 1/2 jacks on the front panel.

Basic operation

Connecting microphones and instruments

- ① Before connecting mics or instruments, make sure that the power of all equipment (where applicable) is turned off. Also make sure that each channel fader and the faders in the master section are turned down. Check to see if the Power amp select switch on the control panel is set to ST L-ST R.

- ② Connect cables to your mics and instrument, and insert the other end of the cables firmly into the appropriate MIC/LINE jacks (channels 1~8) or the 9~12 jacks (channels 9/10~11/12).

Note: You cannot use channel 1~8 MIC and LINE jacks at the same time.

- ③ Turn on the power to the peripheral devices, then turn on the power to the EMX2000.

Note: When turning the power off, reverse this sequence.

- ④ While speaking into the mic (or while playing the instrument), adjust the channel GAIN control so that the channel PEAK indicator lights occasionally at the maximum volume.
- ⑤ Raise the ST1 fader in the master section to the "10" position, and while speaking into the mic (or while playing the instrument), adjust the channel fader so that the 0 LED of the peak level indicator lights occasionally. Use the LEVEL control to adjust the maximum level of the speakers.
- ⑥ If you wish to adjust the tone of each channel, rotate the equalizer controls as desired.
- ⑦ Use the graphic equalizer and the ST fader in the master section to adjust the overall volume and tone.

Note: The volume level is affected by the settings of the channel equalizers and the graphic equalizer. When you set the equalizers, check the peak level indicator and adjust the ST fader if necessary.

Using the digital effect

The EMX2000 has a built-in digital effect, allowing reverberation or ambiance to be added to vocals or instrumental sounds.

- ① Connect a mic or instrument to the desired channels, and adjust the volume and tone.

- ② Press the ON switch of the digital effect section.

- ③ Use the Effect selector to select the type of effect you wish to apply.

VOCAL ECHO 1~4 Echo appropriate for vocals.

VOCAL REVERB 1~4.... Reverb appropriate for vocals.

HALL 1~3..... Reverb typical of a large hall.

ROOM..... Reverb typical of a small room.

PLATE 1~3 Plate echo-like reverberation

GATE REVERB ... Special effect of truncating reverberation

- ④ Raise the EFFECT control of the channels to which you wish to apply the digital effect.

- ⑤ Use the ST control of the digital effect section to adjust the level of the effect sound.

Note: You can send the effect sound to the MONITOR 1/2 bus by raising the MONI 1/2 control in the digital effect section. If the effect sound is distorted even though the ST control and the MONI 1/2 controls in the digital effect section are turned all the way down, lower the EFFECT controls of the digital effect section.

- ⑥ Raise the EFFECT control of the digital effect section to the desired level.

Note: The setting of the EFFECT fader in the master section does not affect the internal effect.

Example setups

This section provides some ways in which the EMX2000 can be used, and explains connections and operation.

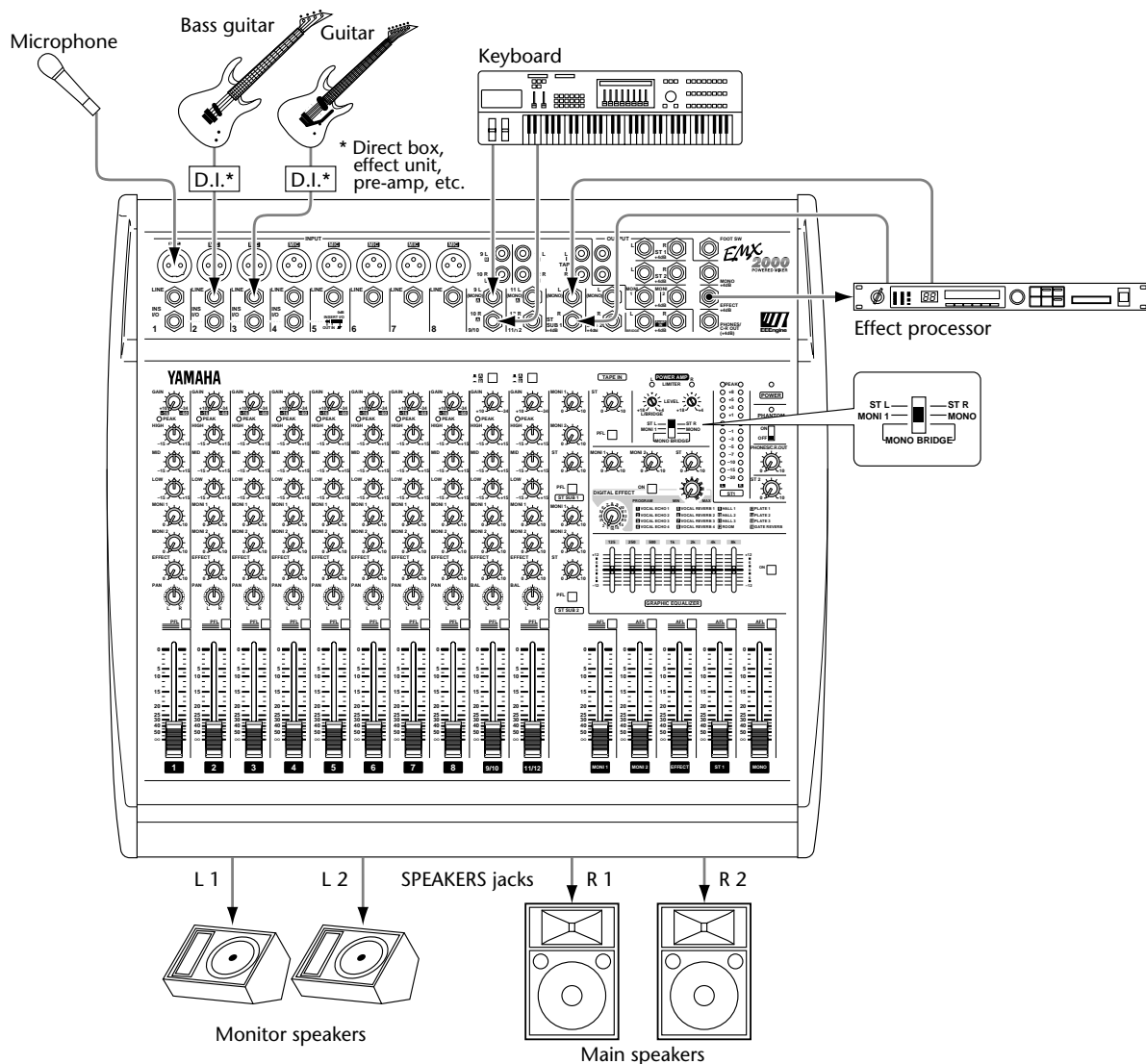
As a band PA

Here is an example of using the EMX2000 as a small PA for a band. In this example, the monitor speakers are being sent a mix that is independent of the MAIN speaker mix. An external effect such as delay or reverb is also being used.

■ Connections

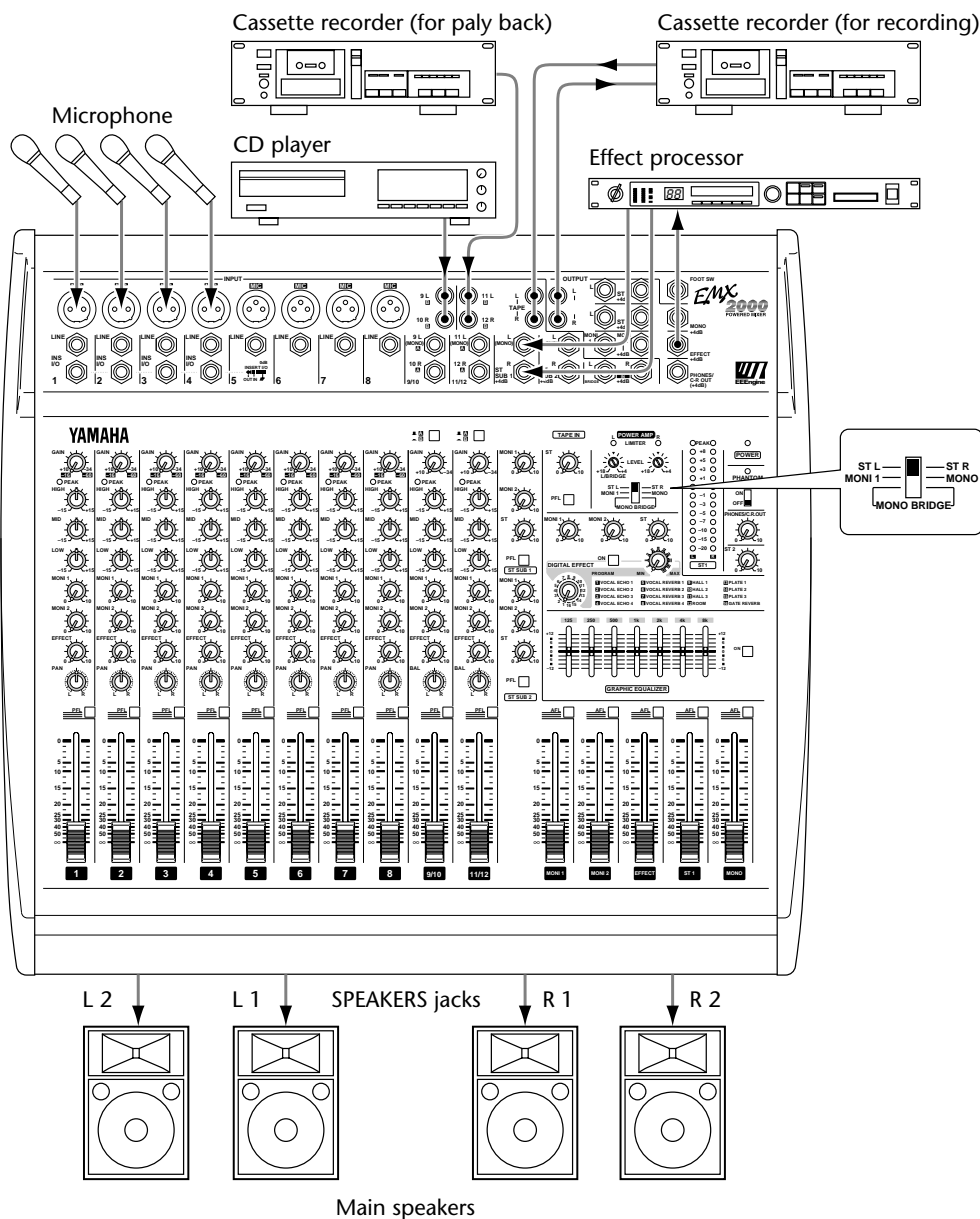
- Connect mics or instruments, such as keyboards, to channel input jacks 1~8.
- Connect the main speakers to the SPEAKERS R 1/2 jacks, and connect the monitor speakers to the SPEAKERS L 1/2 jacks. Set the Power amp select switch to “MONI 1-MONO.”
- If you use an external effect such as delay or reverb, connect the EMX2000’s EFFECT jack to the input jack of the external effect, and connect the output jack of the external effect to the EMX2000’s ST SUB 1.

Note: If you are using an external effect, we recommend that you turn down all the EFFECT controls of the digital effect section. You can connect the output of an external effect to channels 9/10 and 11/12 to apply the equalizer to the effect return signal. However in this case, make sure that the EFFECT controls are turned all the way down for the channels into which the effect sound is being input. If the EFFECT controls are raised, feedback will occur, and your speakers may be damaged.



As a conference/entertainment hall sound system

Here is an example of using the EMX2000 as a conference or entertainment hall sound system.



■ Connections

- Connect mics to channel inputs 1~8.
- A CD player/LD player/cassette deck can also be connected to the input jacks of channels 9/10 and 11/12.
- To record a meeting or a party, connect the REC jacks of the EMX2000 to the input jack of a recording cassette deck, and to monitor the recording on the EMX2000, connect the TAPE jacks of the EMX2000 to the output of the recording cassette deck.
- Connect the main speakers to the SPEAKERS L 1/2 jacks and the SPEAKERS R 1/2 jacks, and set the Power amp select switch to ST L-ST R.

■ Playing back a CD player

- ① Turn on the power to the peripheral devices, then to the EMX2000.
- ② Start playback on the CD player. Use the GAIN control of channel 9/10 so that the PEAK indicator below the GAIN control will light occasionally. Then, raise the ST 1 fader to the "10" position, and adjust the channel 9/10 fader so that the 0 LED of the peak indicator will light occasionally.

■ Sending an independent mix to the monitor speakers

- ① Set the MONI 1 or MONI 2 fader to the "10" position.
- ② Raise the MONI 1 or MONI 2 controls for the channels that you wish to hear from the monitor speakers.

Note: The MONI controls are not affected by the level settings of each channel. This allows you to create a mix that is independent of the main speakers.

- ③ Use the MONI 1 or MONI 2 fader of the master section to adjust the overall volume.

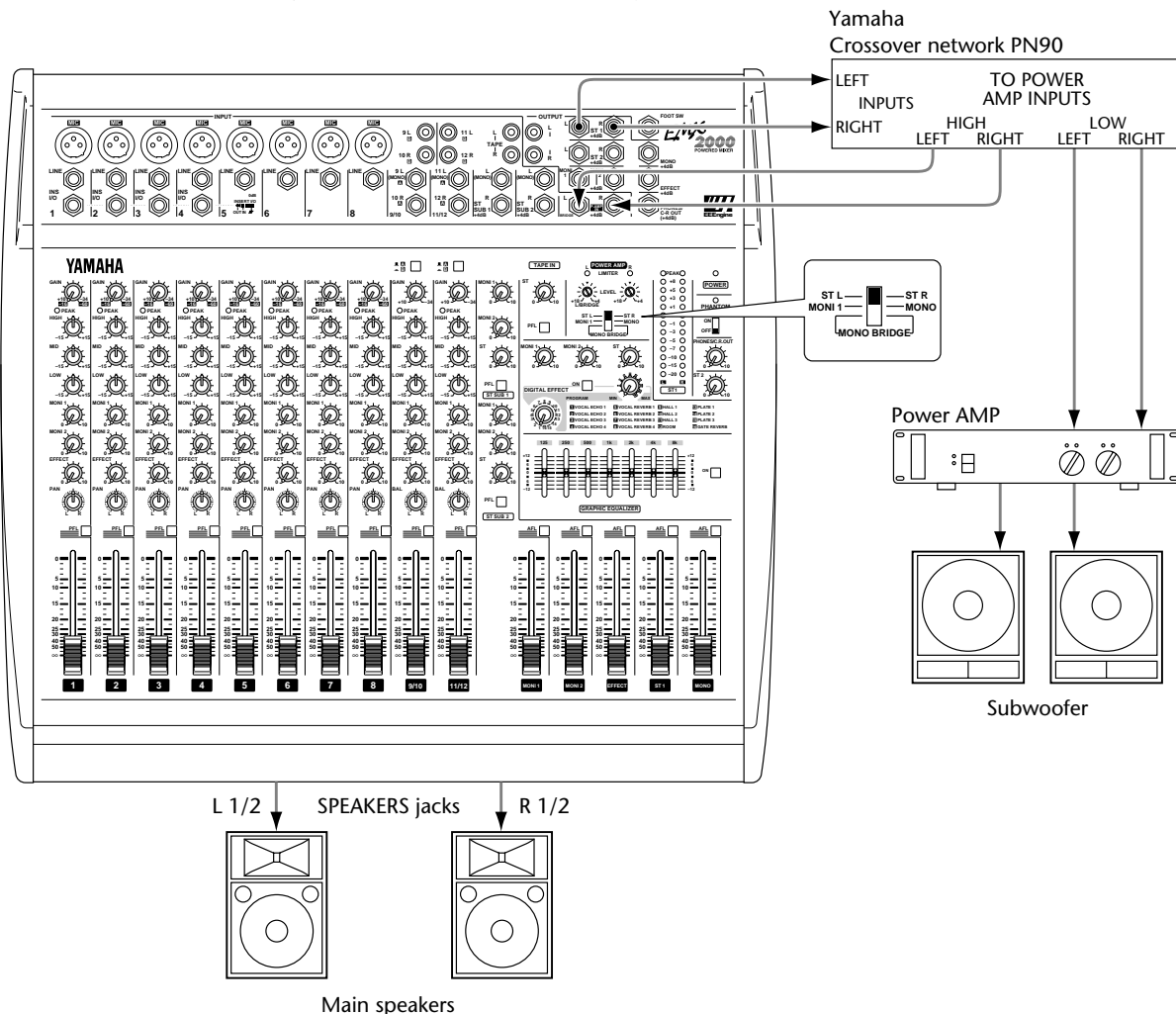
■ Using an external effect processor

You may sometimes want to use an external effect processor, such as an echo machine or a multi-effect unit. In this case, refer to the diagram on page 13 for connection information and follow the steps below.

- ① Set the EFFECT fader of the master section to the "10" position.
- ② Raise the EFFECT controls for the channels to which you want the external effect to be applied.
- ③ Use the EFFECT fader in the master section to adjust the level of the signal output to the external effects processor so that the sound will not be distorted at the input of the external effects processor.
- ④ Use the control of the ST SUB channel to which the processed signal is input from the external effects processor to adjust the level of the effect sound.

Using a subwoofer

Here is an example of using a subwoofer in the speaker system.



Specifications

■ General specifications

Maximum output power	STEREO: 200 W+200 W/4Ω @0.5% THD at 1 kHz BRIDGE: 400 W/8Ω @0.5% THD at 1 kHz	
Frequency response	20 Hz~20 kHz +1 dB, -3 dB @1 W output into 8Ω (SPEAKER OUT)	All channel Gain controls at minimum.
	20 Hz~20 kHz +1 dB, -3 dB @+4 dB output into 600Ω (ST OUT, MONO OUT, EFFECT SEND, MONITOR OUT)	All channel Gain controls at minimum.
Total harmonic distortion	Less than 0.5% @20 Hz~20 kHz, 100 W output into 4Ω (SPEAKER OUT) Less than 0.3% @20 Hz~20 kHz, +14 dB output into 600Ω (ST OUT, MONO OUT, EFFECT SEND, MONITOR OUT)	
Hum & noise (Average, Rs=150Ω) (with 20 Hz~20 kHz BPF)	-128 dB equivalent input noise -63 dB residual output noise (SPEAKER OUT)	
	-95 dB residual output noise (ST OUT, MONO OUT, EFFECT SEND, MONITOR OUT)	
	-87 dB (ST OUT, MONO OUT)	ST master/MONO master fader at maximum level and all channel fader at minimum.
	-64 dB (68 dB S/N) (ST OUT, MONO OUT)	ST master/MONO master fader and 1 channel fader at maximum level. And 1 channel Gain control at maximum.
Maximum voltage gain	91 dB	MIC IN to SPEAKER OUT (CH 1~8)
	64 dB	MIC IN to ST OUT (CH 1~8)
	38 dB	LINE IN to ST OUT (CH 1~8)
	38 dB	ST IN to ST OUT (CH 9/10, 11/12)
	70 dB	MIC IN to EFFECT SEND (CH 1~8)
	64 dB	MIC IN to MONITOR OUT (CH 1~8)
Crosstalk at 1 kHz	-70 dB adjacent input, -70 dB input to output	
MIC IN gain control	44 dB variable	
Input channel equalization	HIGH 10 kHz shelving* MID 2.5 kHz peaking LOW 100 Hz shelving* * Turn over/roll off frequency of shelving: 3 dB below maximum variable level.	
Meters	13 points LED meter	
CH peak indicators	Red LED on each channel lits when POST EQ signal reaches the level -3 dB below clipping.	
 Limiter	Comp. : THD≥0.5%	
LIMIT indicators	Lit when THD≥0.5%	
Graphic equalizer	7 bands (125, 250, 500, 1k, 2k, 4k, 8k Hz), ±12 dB Maximum	
Internal digital effect	16 programs	
Foot switch	Digital effect mute: on/off	
Phantom power	+48 V is supplied to electrically balanced inputs.	
Option	FC5	
Power requirement	USA and Canada	120 V AC 60 Hz
	Europe	240 V AC 50 Hz
	Other	230 V AC 50 Hz
Power consumption	210 W	
Dimensions (WxHxD)	480×125×454 mm	
Weight	14 kg	

Input specifications

Input terminals	Gain trim	Actual load impedance	For use with nominal	Input level		Connectors on mixer
				Sensitivity ¹	Max. before clip	
MIC INPUT (1–8)	MAX MIN	5 k Ω	50–600 Ω Mics	–60 dB (775 μ V) –16 dB (123 mV)	–40 dB (7.75 mV) +4 dB (1.23 V)	XLR-3-31 type ²
LINE INPUT (1–8)	MAX MIN	50 k Ω	600 Ω Lines	–34 dB (15.5 mV) +10 dB (2.45 V)	–14 dB (155 mV) +30 dB (24.5 V)	PHONE JACK (TRS) ²
ST INPUT (9–12)	MAX MIN	10 k Ω	600 Ω Lines	–34 dB (15.5 mV) +10 dB (2.45 V)	–14 dB (155 mV) +30 dB (24.5 V)	PHONE JACK ³
ST SUB IN (1, 2)		10 k Ω	600 Ω Lines	+4 dB (1.23 V)	+20 dB (7.75 V)	
TAPE IN (L, R)		10 k Ω	600 Ω Lines	–10 dBV (316 mV)	+10 dBV (3.16 V)	PHONO JACK
CH INSERT IN (1–4)		10 k Ω	600 Ω Lines	0 dB (775 mV)	+20 dB (7.75 V)	PHONE JACK (I/O) ³
POWER AMP IN (L, R)		10 k Ω	600 Ω Lines	+4 dB (1.23 V)	+18 dB (6.16 V)	PHONE JACK ³

1. Sensitivity is the lowest level that can produce an output of +4 dB (1.23 V) or the nominal output level when the unit is set at maximum gain.

2. XLR type connectors and PHONE JACKS (TRS) (T=HOT, R=COLD, S=GND) are balanced.

3. PHONE JACKS are unbalanced.

- In these specifications when dB represents a specific voltage, 0 dB is referenced to 0.775 Vrms, 0 dBV is referenced to 1 Vrms.

Output specifications

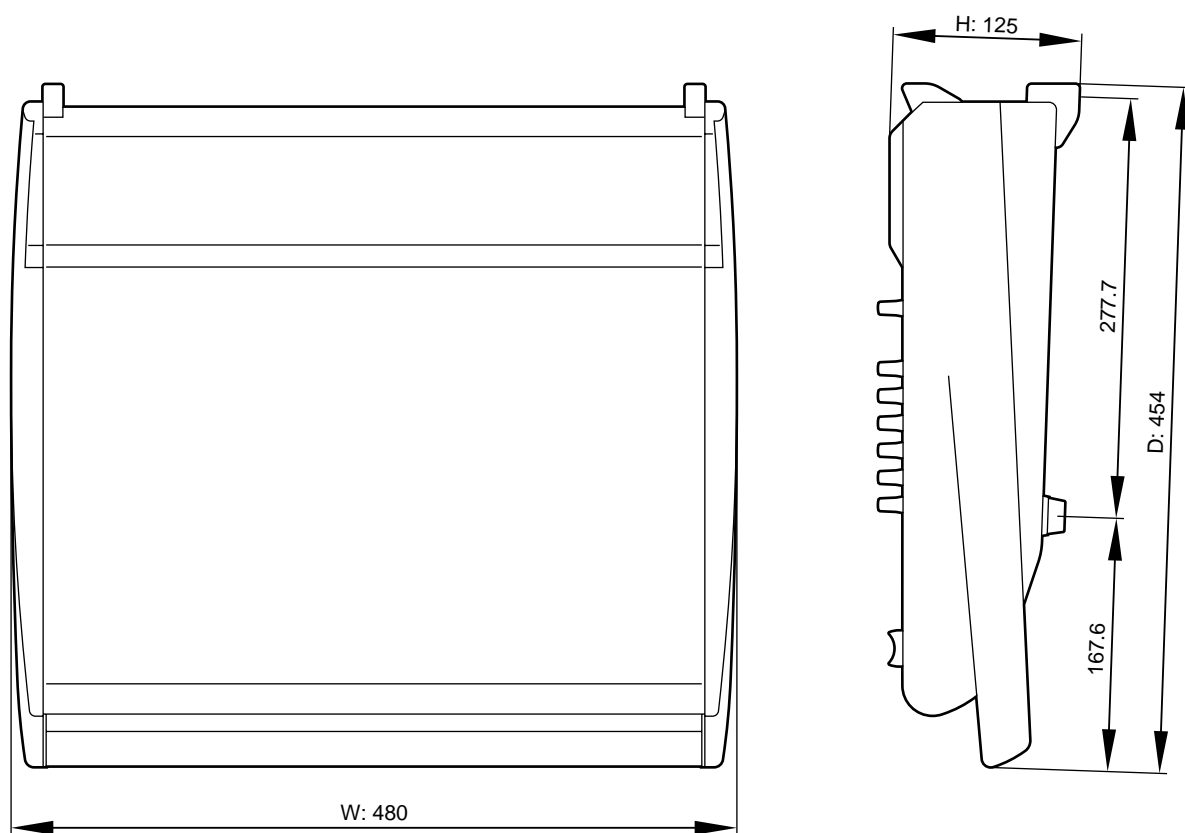
Output terminal	Actual source impedance	For use with nominal	Output level		Connectors on mixer
			Nominal	Max. before clipping	
ST OUT 1, 2 (L/R)	75 Ω	600 Ω Lines	+4 dB (1.23 V)	+20 dB (7.75 V)	PHONE JACK ¹
MONO OUT	75 Ω	600 Ω Lines	+4 dB (1.23 V)	+20 dB (7.75 V)	
EFFECT SEND	75 Ω	600 Ω Lines	+4 dB (1.23 V)	+20 dB (7.75 V)	
MONITOR OUT 1, 2	75 Ω	600 Ω Lines	+4 dB (1.23 V)	+20 dB (7.75 V)	
REC OUT (L/R)	600 Ω	10 k Ω Lines	–10 dBV (316 mV)	+10 dBV (3.16 V)	PHONO JACK
CH INSERT OUT (1–4)	600 Ω	10 k Ω Lines	0 dB (775 mV)	+20 dB (7.75 V)	PHONE JACK ¹
PHONES/ C. R. OUT	for PHONES	40 Ω Phones	3 mW	100 mW	ST PHONE JACK ¹
	for C. R. OUT	10 k Ω Lines	+4 dB (1.23 V)	+20 dB (7.75 V)	
SPEAKER OUT 1, 2 (L/R)	0.1 Ω	4/8 Ω Speaker	200 W/4 Ω	200 W/4 Ω	PHONE JACK ¹
BRIDGE OUT	0.1 Ω	8 Ω Speaker	400 W/8 Ω	400 W/8 Ω	

1. PHONE JACKS are balanced.

- In these specifications when dB represents a specific voltage, 0 dB is referenced to 0.775 Vrms, 0 dBV is referenced to 1 Vrms.

Specifications are subject to change without prior notice.

Dimensions



Unit: mm

Block/Level Diagram

