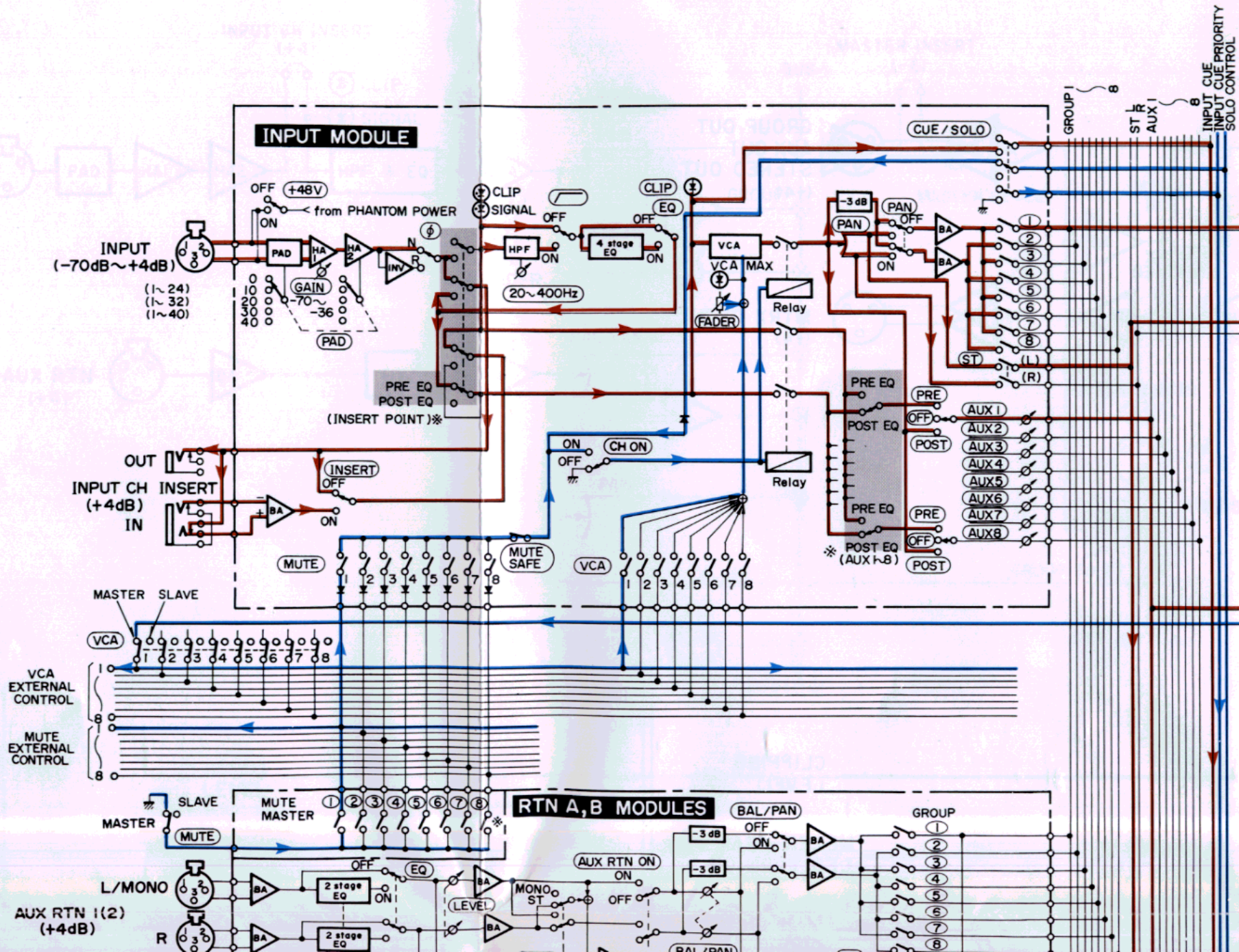
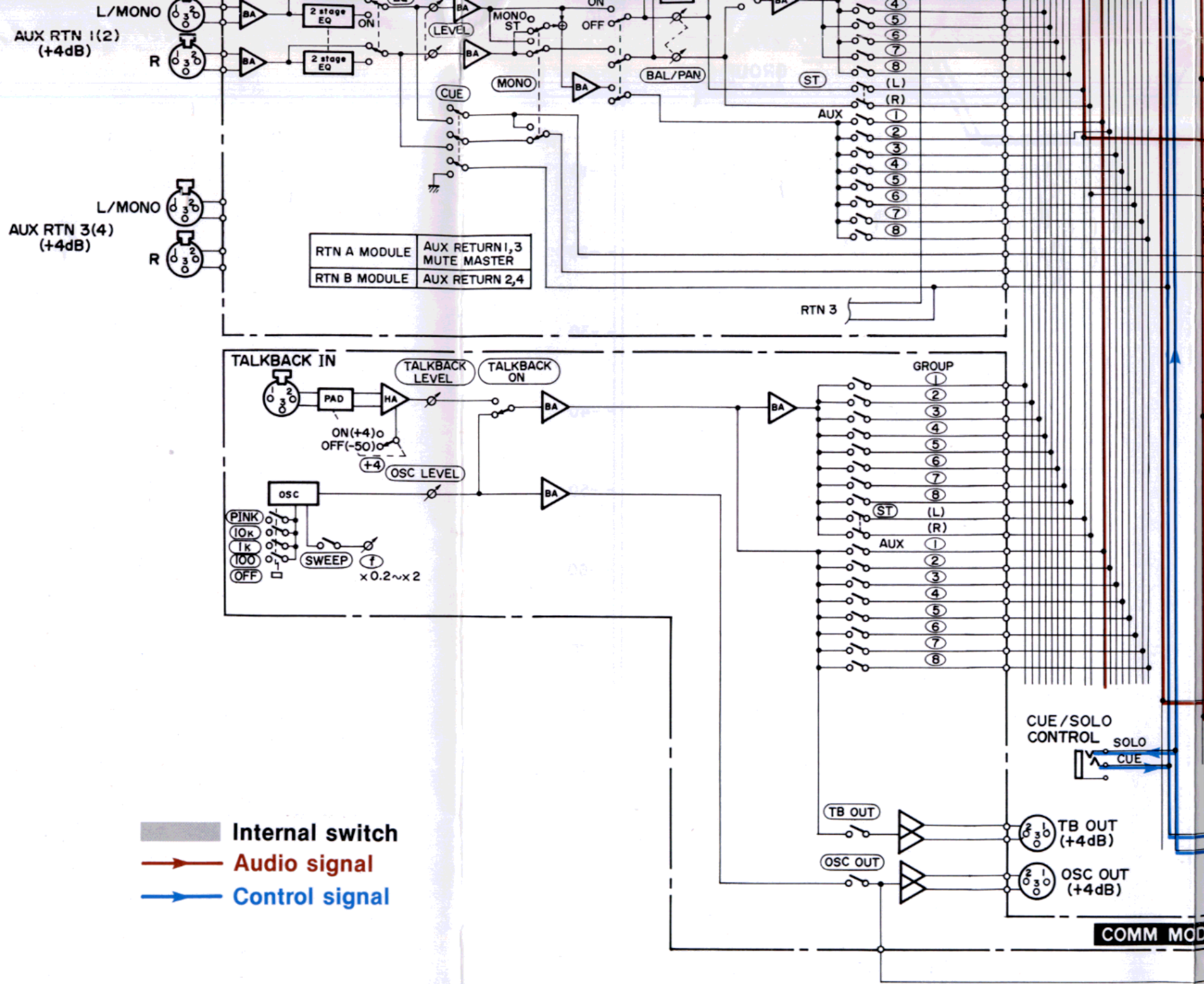
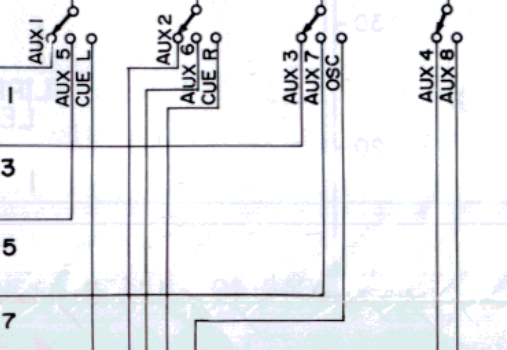
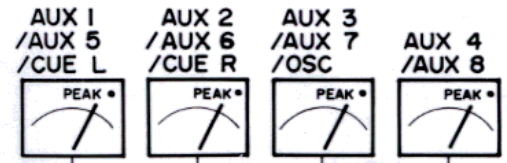
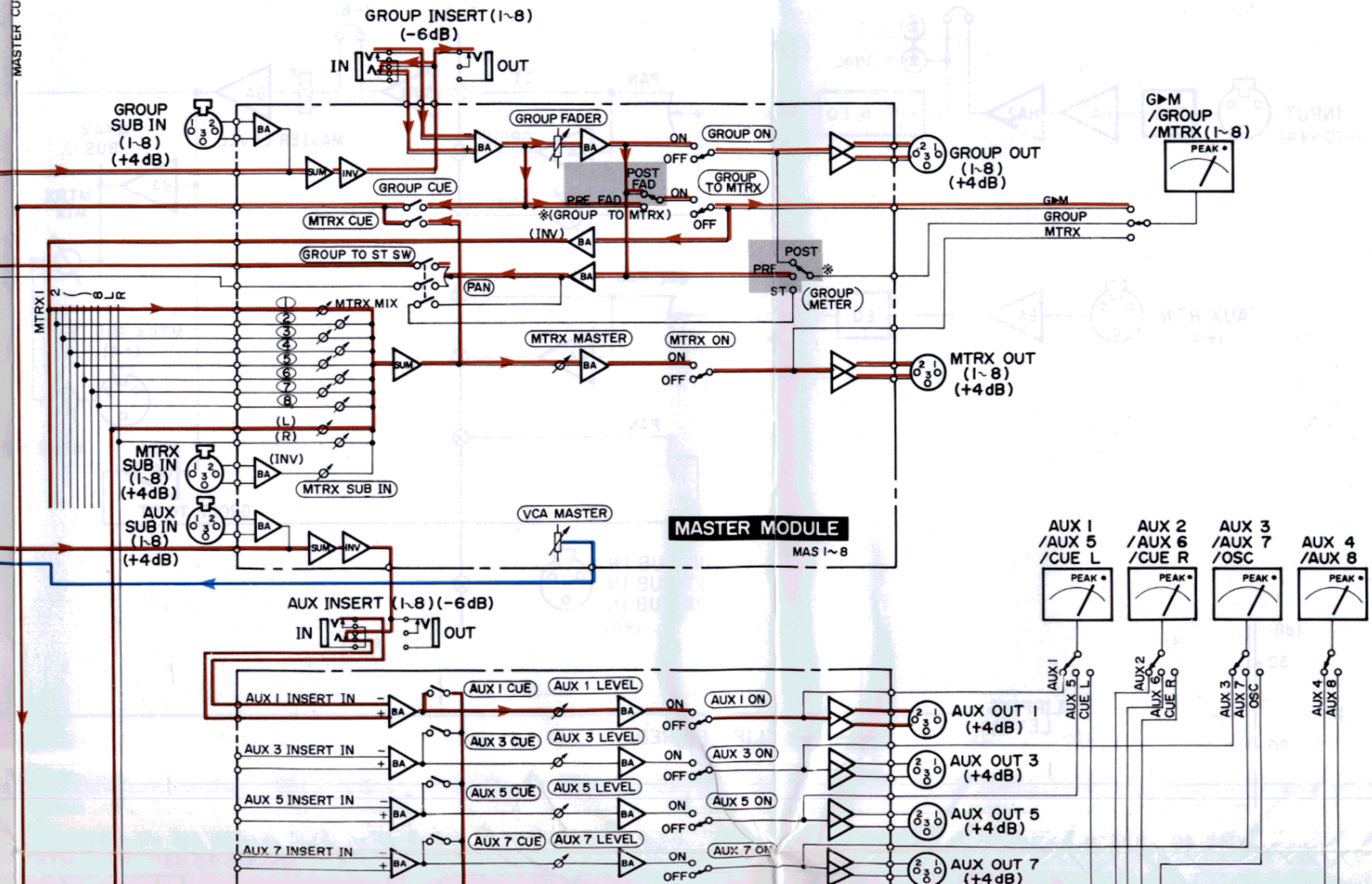


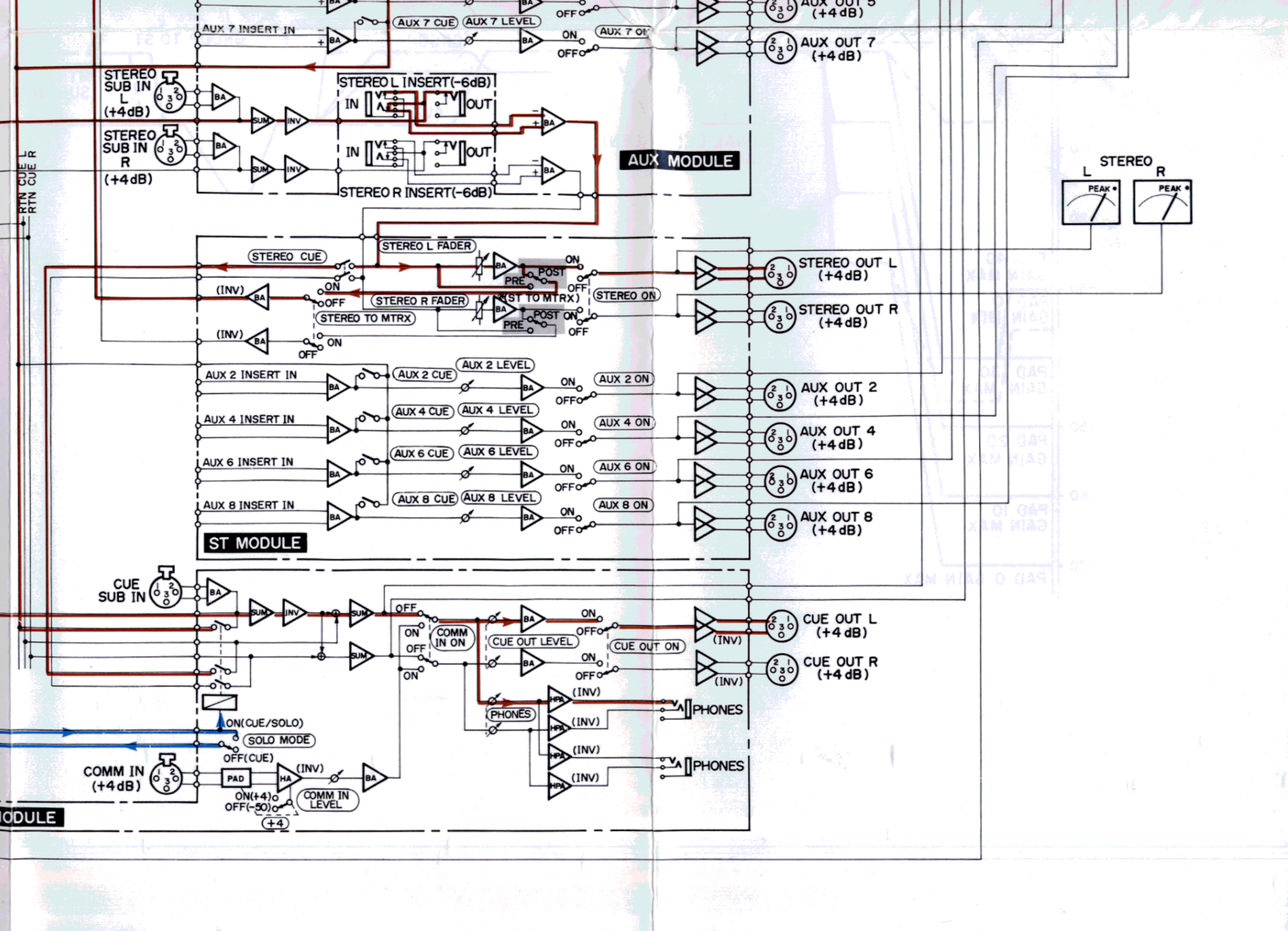
BLOCK DIAGRAM





MASTER CUE





STEREO SUB IN L (+4dB)
STEREO SUB IN R (+4dB)

STEREO L INSERT (-6dB)
IN OUT

STEREO R INSERT (-6dB)
IN OUT

AUX MODULE

STEREO CUE

STEREO L FADER

STEREO R FADER

STEREO TO MTRX

STEREO ON

ST MODULE

AUX 2 INSERT IN

AUX 2 CUE

AUX 2 LEVEL

AUX 2 ON

AUX 4 INSERT IN

AUX 4 CUE

AUX 4 LEVEL

AUX 4 ON

AUX 6 INSERT IN

AUX 6 CUE

AUX 6 LEVEL

AUX 6 ON

AUX 8 INSERT IN

AUX 8 CUE

AUX 8 LEVEL

AUX 8 ON

STEREO OUT L (+4dB)

STEREO OUT R (+4dB)

AUX OUT 2 (+4dB)

AUX OUT 4 (+4dB)

AUX OUT 6 (+4dB)

AUX OUT 8 (+4dB)

CUE SUB IN

CUE OUT L (+4dB)

CUE OUT R (+4dB)

COMM IN (+4dB)

ON (+4)
OFF (-50)

COMM IN LEVEL

COMM IN ON

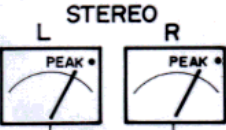
CUE OUT LEVEL

CUE OUT ON

PHONES

PHONES

PHONES



MODULE

LEVEL DIAGRAM

