



RTL

# NS-P270/ NS-P276

(NS-P270 / NS-P276: NX-E270 + NX-C270 + SW-P270)

*HOME CINEMA 5.1CH SPEAKER PACKAGE  
HOME CINEMA 6.1CH SPEAKER PACKAGE*



**OWNER'S MANUAL  
MANUAL DE INSTRUCCIONES  
使用说明书**

# Precautions

---

- 1 To assure the finest performance, please read this manual carefully. Keep it in a safe place for future reference.
- 2 Install the speakers in a cool, dry, clean place – away from windows, sources of heat, sources of excessive vibration, dust, moisture or cold. Avoid sources of electrical humming (e.g., transformers and motors). To prevent fire or electric shock, do not expose the speakers to rain or water.
- 3 To prevent the enclosure from warping or discoloring, do not expose the speakers to direct sunlight or excessive humidity.
- 4 Avoid installing the speakers where foreign objects may fall onto them and/or where they may be exposed to liquid dripping or splashing.
- 5 Do not place the following objects on top of the speakers:
  - Other components, as they might damage or discolor the surface of the speakers.
  - Burning objects (e.g., candles), as they might cause fire, damage to the speakers or personal injury.
  - Containers of liquid, as they might spill and cause electric shock to the user or damage to the speakers.
- 6 Do not place the speakers where they are liable to be knocked over or struck by falling objects. Stable placement will also ensure better sound performance.
- 7 Placing the speakers on the same shelf or rack as the turntable can result in feedback.
- 8 Secure placement or installation is the owner's responsibility. YAMAHA is not liable for accidents caused by improper placement or installation of speakers.
- 9 Any time you note distortion, reduce the volume control on your amplifier to lower setting. Never allow your amplifier to be driven into "clipping". Otherwise, the speakers may be damaged.
- 10 When using an amplifier with a rated output power higher than the nominal input power of the speakers, care should be taken not to exceed the maximum input of the speakers.
- 11 Do not attempt to clean the speakers with chemical solvents as this might damage the finish. Use a clean, dry cloth.
- 12 Do not attempt to modify or fix the speakers. Contact qualified YAMAHA service personnel when service is needed. The cabinet should never be opened for any reason.
- 13 Be sure to read the "Troubleshooting" section regarding common operating errors before concluding that the speakers are faulty.
- 4 When using a humidifier, be sure to avoid condensation inside this unit by allowing enough space around the unit and avoiding excess humidification. Condensation might cause fire, damage to the unit, and/or electric shock.
- 5 Do not cover the rear panel of this unit with a newspaper, tablecloth, curtain, etc. to avoid obstructing heat radiation. If the temperature inside the unit rises, it may cause fire, damage to the unit, or personal injury.
- 6 Do not plug this unit into a wall outlet until all connections are complete.
- 7 The voltage to be used must match that specified on the rear panel. Using this unit with a voltage higher than specified is dangerous and may cause fire, damage to the unit, and/or personal injury. YAMAHA is not responsible for damage resulting from use of this unit with a voltage other than specified.
- 8 Super-bass sound reproduced by this unit may cause a turntable to generate audio feedback. In this case, move the unit away from the turntable.
- 9 This unit may be damaged if certain sounds are continuously output at high volume level. For example, if 20 Hz–50 Hz sine waves from a test disc or bass sounds from an electronic instrument, etc. are continuously output, or if a turntable stylus touches the surface of a disc, reduce the volume level to prevent the unit from being damaged.
- 10 If you hear distorted noise (i.e., unnatural, intermittent "rapping" or "hammering" sounds) from this unit, reduce the volume level. Extremely loud movie soundtrack low frequency, bass-heavy sounds, or similarly loud popular music passages can damage this unit.
- 11 Vibration generated by super-bass sound may distort images on a TV. In this case, move the unit away from the TV set.
- 12 When disconnecting the power cord from the wall outlet, grasp the plug; do not pull the cord.
- 13 When you plan not to use this unit for a long period of time (i.e. vacation, etc.), disconnect the AC power plug from the wall outlet.
- 14 Install this unit near the wall outlet and where the AC power plug can be reached easily.

This unit features a magnetically shielded design, but there is still a chance that placing it too close to a TV set might impair picture color. Should this happen, move this unit away from the TV set.

As long as this unit is connected to the AC wall outlet, it is not disconnected from the AC power source even if you turn off this unit by POWER.

## For SW-P270

- 1 Do not operate this unit upside down. It may overheat, possibly causing damage.
- 2 Do not use excessive force on switches, controls or connection wires. When moving this unit, first disconnect the power plug and the wires connected to other equipment. Never pull the wires themselves.
- 3 Since this unit has a built-in power amplifier, heat radiates from the rear panel. Place the unit away from walls, allowing at least 20 cm of space above, behind and on both sides of the unit to prevent fire or damage. Furthermore, do not position the unit with the rear panel facing down on the floor or other surfaces.

- **VOLTAGE SELECTOR**

(For China, Korea, Asia and General models)

The voltage selector switch on the rear panel of this unit must be set for your local main voltage **BEFORE** plugging this unit into the AC main supply. Voltages are 110-120/220-240 V AC, 50/60 Hz.

## Table of contents

<b>Precautions</b> . . . . .	<b>i</b>
<b>Introduction</b> . . . . .	<b>2</b>
Package contents . . . . .	2
<b>Setting up the speakers</b> . . . . .	<b>3</b>
Positioning the front and surround speakers (NX-E270) . . . . .	3
Positioning the center speaker (NX-C270) . . . . .	4
Positioning the subwoofer (SW-P270) . . . . .	4
Mounting the front and surround speakers . . . . .	5
<b>Connections</b> . . . . .	<b>6</b>
Basic connection example . . . . .	6
Connecting speaker cables . . . . .	7
Connecting components and the subwoofer to AC power . . . . .	7
<b>Using the subwoofer (SW-P270)</b> . . . . .	<b>8</b>
Pre-adjusting the subwoofer volume . . . . .	8
<b>Advanced YAMAHA Active Servo Technology (on the SW-P270)</b> . . . . .	<b>9</b>
<b>Troubleshooting</b> . . . . .	<b>10</b>
<b>Specifications</b> . . . . .	<b>11</b>
Frequency characteristics . . . . .	11

# Introduction

Thank you for choosing a YAMAHA NS-P270 or NS-P276 Home Cinema 5.1/6.1 Channel Speaker System. Each of these systems includes the following speakers:

- **NX-E270**

The NX-E270 are full-range acoustic-suspension speakers. Each system includes two (2) front and two (2) surround speakers. In addition, the NS-P276 system includes an additional NX-E270 that serves as a surround back speaker.

- **NX-C270**

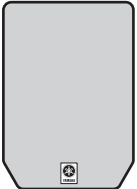
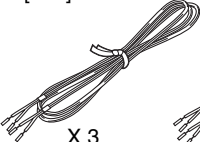
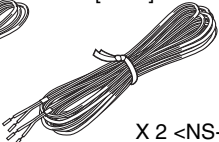

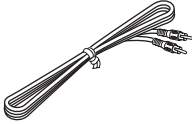
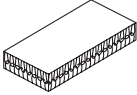
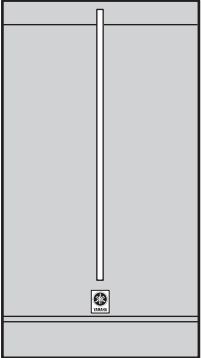
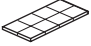

The NX-C270 is a full-range acoustic-suspension center speaker.

- **SW-P270**

The SW-P270 is a subwoofer that features a built-in power amplifier. It utilizes Advanced YAMAHA Active Servo Technology to reproduce extremely high quality super-bass range sounds that add a rich, realistic dimension to your home theater. (Refer to page 9 for detailed information on Advanced YAMAHA Active Servo Technology.)

## Package contents

Please confirm that the following items are included in the package.

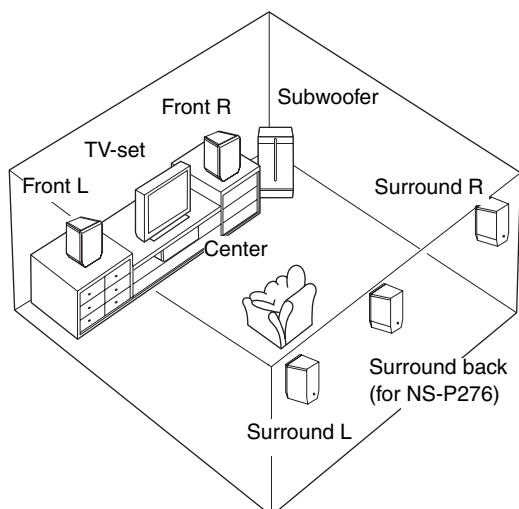
<p>Front and surround speakers (and surround back speaker in NS-P276)</p> <p style="text-align: center;"><b>NX-E270</b></p>  <p style="text-align: right;">X 4 &lt;NS-P270&gt; X 5 &lt;NS-P276&gt;</p>	<p>Speaker cables</p> <p style="display: flex; justify-content: space-around;"> <span>[4 m]</span> <span>[10 m]</span> </p>  <p style="text-align: center;">X 3</p>  <p style="text-align: right;">X 2 &lt;NS-P270&gt; X 3 &lt;NS-P276&gt;</p>	
<p>Center speaker</p> <p style="text-align: center;"><b>NX-C270</b></p> 	<p>Subwoofer cable</p> 	<p>Fasteners (for NX-C270)</p>  <p style="text-align: right;">X 2</p>
<p>Subwoofer</p> <p style="text-align: center;"><b>SW-P270</b></p> 	<p>Non-skid pads [1 set, 8 pcs] (for NX-E270)</p>  <p style="text-align: right;">X2 &lt;NS-P270&gt; X3 &lt;NS-P276&gt;</p>	<p>Non-skid pads [1 set, 4 pcs] (for SW-P270)</p> 

## Setting up the speakers

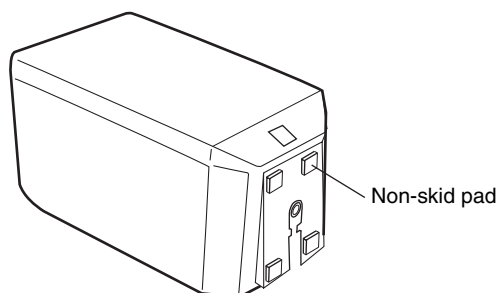
Before you connect the speakers, place each speaker in its respective location. Speaker positioning is very important as it affects the overall sound quality of the system. Place the speakers in locations that will optimize the sound quality at your listening position. Refer to the illustration below.

The position of the subwoofer is not as critical as the position of the other speakers because low bass tones are not highly directional. Refer to “Positioning the subwoofer (SW-P270)” on page 4 for more information.

**Note:** These speakers are magnetically shielded. However, if you place them too close to a TV, they may impair picture color. In this case, move the speakers further away from the TV.



### Positioning the front and surround speakers (NX-E270)



**Front speakers:** Place the two front speakers on the left and right sides of the TV, at approximately the same height as the TV, facing directly forward.

**Surround speakers:** Place the left and right surround speakers behind your listening position, facing slightly inward, about 1.8 m (approx. 6 feet) above the floor.

**Surround back speaker (for NS-P276 systems only):** Position the surround back speaker behind your listening position, precisely between the surround speakers, about 1.8 m (approx. 6 feet) above the floor.

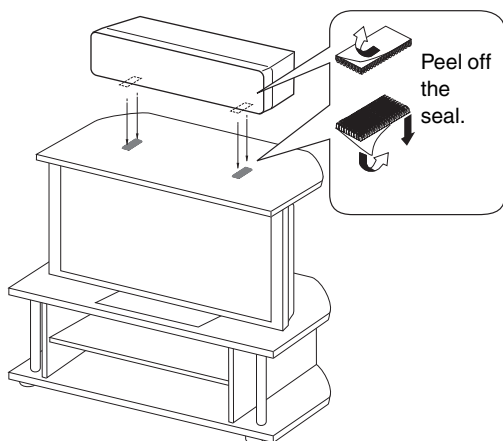
You can set the front, surround, and surround back speakers on tables or other supports, or mount them on a wall or speaker stand. (For more information, see “Mounting the front and surround speakers” on page 5.)

**Non-skid pads:** When placing the speakers on a flat surface, attach the included non-skid pads to the corners of the speaker bottoms, as shown above. The non-skid pads will prevent the speakers from sliding.

## Positioning the center speaker (NX-C270)

Place the center speaker precisely between the front speakers, facing directly forward. You can place the center speaker on top of a TV (if the top of the TV is flat), on the floor beneath the TV, or in an entertainment center. Be sure to place the speaker in a stable location.

When placing the speaker on top of a TV rack, etc., to prevent the speaker from falling, attach the provided fasteners at two points on the bottom of the speaker and on top of the TV, as illustrated below.



### Cautions:

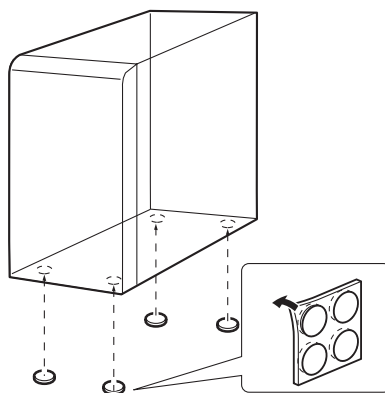
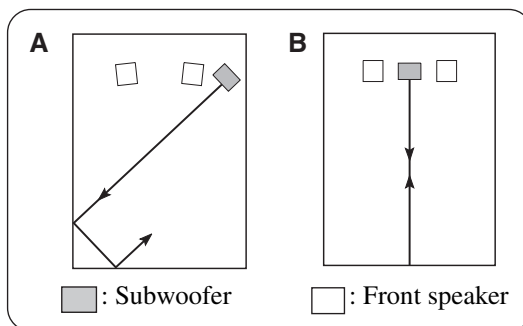
- Do not place the center speaker on a TV that has a top surface area smaller than the speaker bottom. Otherwise, the speaker may fall and cause injury.
- Do not place the center speaker on a TV that has a slanted or inclined top.
- Do not touch the adhesive surface of a fastener after you peel off the seal, as this will weaken the adhesive strength of the fastener.
- Thoroughly wipe to clean the surface where the fastener is to be applied. Note that adhesive strength will be weakened if the surface is dirty, oily or wet. Weakened adhesive may cause the center speaker to fall.

## Positioning the subwoofer (SW-P270)

It is recommended to place it on the outside of either the right or the left front speaker. (See fig. **A**.) The placement shown in fig. **B** is also possible, however, if the subwoofer system is placed directly facing the wall, the bass effect may lessen because the sound from it and the sound reflected by the wall may cancel out each other. To prevent this from happening, face the subwoofer system at an angle as in fig. **A**.

### Note:

There may be a case that you cannot obtain enough super-bass sounds from the subwoofer when listening in the center of the room. This is because "standing waves" have been developed between two parallel walls and they cancel the bass sounds. In such a case, face the subwoofer obliquely to the wall. It also may be necessary to break up the parallel surfaces by placing bookshelves etc. along the walls.



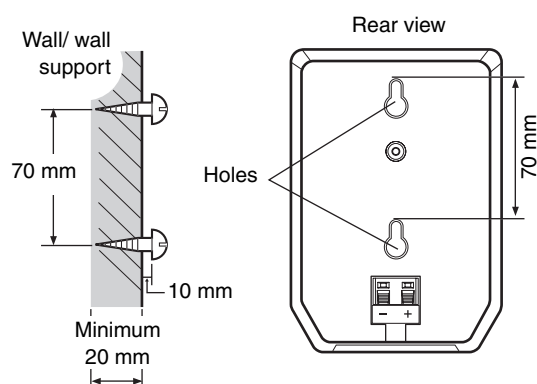
**Non-skid pads:** Place the included non-skid pads at the four corners of the bottom of the subwoofer to prevent the subwoofer from sliding due to vibration or minor impact.

## Mounting the front and surround speakers

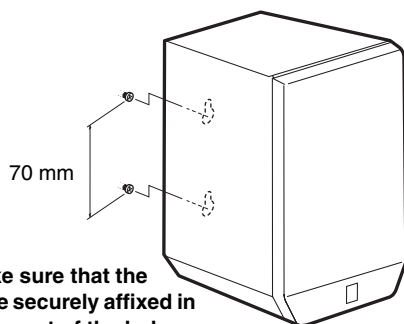
You can place the front and surround speakers (and surround back speaker in an NS-P276 system) on a shelf or rack, set them on the floor, or mount them on a wall or speaker stand.

### To mount the speakers on a wall:

1. Affix screws to a firm wall or wall support as shown below. (Use tapping screws 3.5 to 4mm in diameter.)



2. Suspend the speaker by mounting the holes in the speaker's rear panels on the protruding screws.



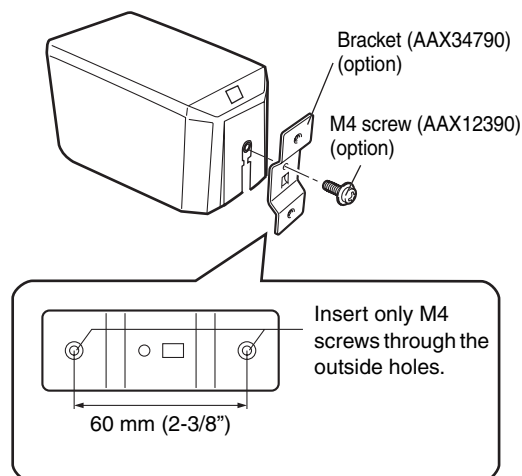
**Note:** Make sure that the screws are securely affixed in the narrow part of the holes.

### Cautions:

- Each front or surround speaker weighs 0.8 kg (1.8 lbs.). Do not mount the speakers on thin plywood or on a wall made of soft surface material. Otherwise, the screws may pull out of the surface and the speakers may fall, possibly damaging the speakers or causing personal injury.
- Do not affix the speakers to a wall using nails, adhesives, or unstable hardware. Long term use and vibration may cause the speakers to fall.
- To avoid accidents resulting from tripping over loose speaker cables, affix the cables to the wall.
- Mount the speakers in a wall location that will be unlikely to result in injury to an individual's head.

## Installing the speakers on commercially available speaker stands:

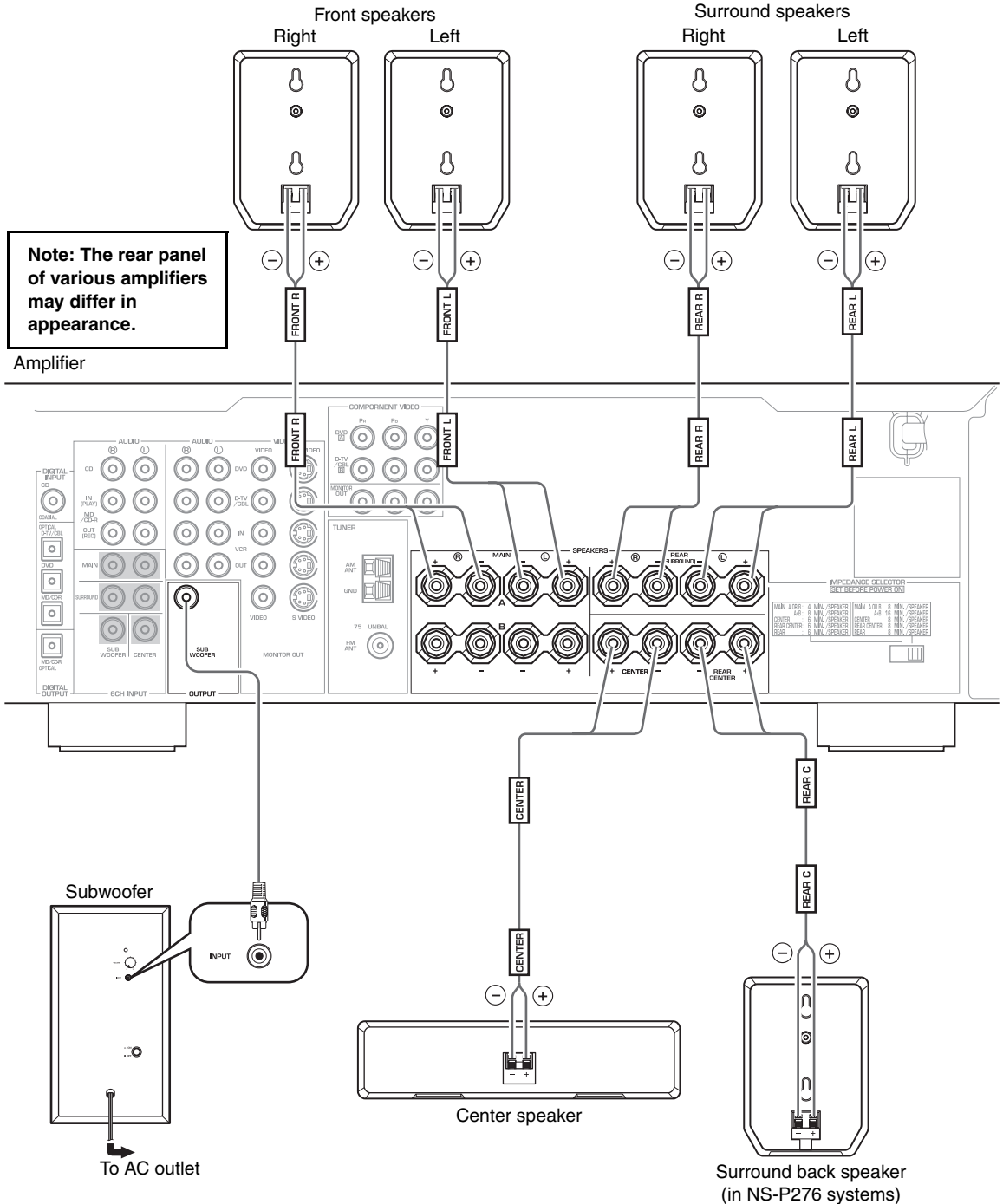
You can mount the front, surround, and surround back speakers on a speaker stand. When you installing the speaker on commercially available speaker stand, you need to attach a bracket to the bottom of the speaker using a screw.



# Connections

**Caution:** Plug the power cables for the subwoofer and other audio/video components into an AC outlet only after you complete all other connections.

## Basic connection example



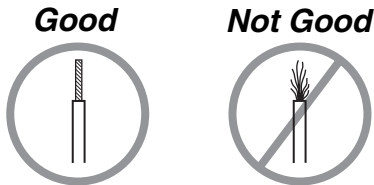


## Connecting speaker cables

Keep the speaker cables as short as possible. Do not bundle or roll up excess cable. If the connections are faulty, you will hear no sound from the speakers.

### Before connecting the cables:

Remove a small amount (about 10 mm) of insulation coating from the end of each speaker cable.

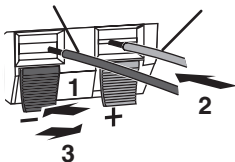


One side of the included speaker cable is marked with a broken white line; the other side is unlined. Connect the (+) terminal on the speaker to the (+) terminal on the amplifier using the cable side marked with the broken white line. Connect the (-) terminals on both components using the unlined side of the speaker cable.

### Inserting the cables:

1. Press and hold the terminal tab, as shown in the figure below.
2. Insert the bare wire core.
3. Release your finger from the tab to allow it to lock securely on the bare wire core.
4. Test the security of the connection by pulling gently on the cable at the terminal.

Black: negative (-) Red: positive (+)



**Note:** Do not insert the insulation coating into the hole. The sound may not be produced.

**Note:** Do not let uninsulated bare wires touch each other as this could damage the speaker or the amplifier.

### Connections:

- Connect the front, center and surround speakers (and surround back speaker for the NS-P276) to the speaker output terminals on your amplifier using the included speaker cables.
  - The included speaker cables have labels marked FRONT L, FRONT R, CENTER, REAR L, REAR R (and REAR C for NS-P276). Connect each speaker cable to the corresponding speaker as illustrated in the figure on page 6.
  - Connect each speaker making sure not to reverse the polarity (+, -). If the speaker is connected with reversed polarity, the sound will be unnatural and lack bass.
  - For the front and surround speakers only, connect one speaker to the left (marked L) terminals on your amplifier, and the other speaker to the right (marked R) terminals.
- Connect the subwoofer to the line output (pin jack) terminal(s) on the amplifier.
  - To connect to a YAMAHA DSP amplifier (or AV receiver), connect the SUBWOOFER (or LOW PASS, etc.) terminal on the rear of the DSP amplifier (or AV receiver) to the INPUT terminal on the subwoofer.

### VOLTAGE SELECTOR switch (For China, Korea, Asia and General models):

This unit has a voltage selector switch on the rear panel. If the preset setting of the switch is incorrect, set the switch to the proper voltage range (220 V-240 V or 110 V-120V) of your area. Consult your dealer if you are unsure of the correct setting.

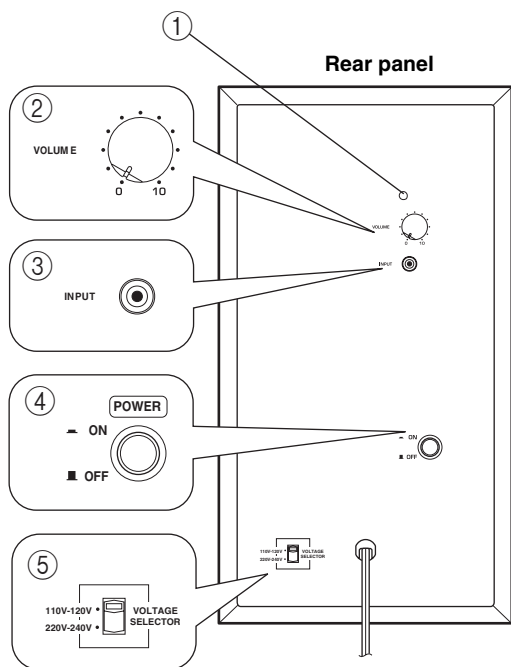
#### WARNING

Do not plug the subwoofer to the AC outlet before setting the VOLTAGE SELECTOR.

### Connecting components and the subwoofer to AC power

After you complete all speaker and subwoofer connections, plug the amplifier, other audio/video components, and the subwoofer into an AC outlet of appropriate voltage. Make sure the subwoofer's **VOLUME** control is set to 0 before proceeding to adjust the speaker balance as described on page 8.

# Using the subwoofer (SW-P270)



## ① Power indicator

Lights up in GREEN when the **POWER** switch ④ is turned **ON**; turns off when the **POWER** switch is turned **OFF**.

## ② VOLUME control

Adjusts the volume level. Turn the control clockwise to increase the volume, and counterclockwise to decrease the volume.

## ③ INPUT terminal

Input terminal for line level signals from the amplifier.

## ④ POWER switch

Press this switch to the **ON** position to turn on the power to the subwoofer. When the power of the subwoofer is on, the power indicator ① on the rear panel lights up green. Press this switch again to set it to the **OFF** position to turn off the power of the subwoofer.

## ⑤ VOLTAGE SELECTOR switch (For China, Korea, Asia and General models)

If the preset setting of the switch is incorrect, set the switch to the proper voltage range (220 V – 240 V or 100 V – 120 V) of your area.

Consult your dealer if you are unsure of the correct setting.

### **WARNING:**

**Be sure to unplug the subwoofer before setting the VOLTAGE SELECTOR switch correctly.**

## Pre-adjusting the subwoofer volume

Before you use the subwoofer, first adjust the volume balance between the subwoofer and the front speakers by following the procedure below.

1. Set the **VOLUME** control to minimum (0).
2. Turn on the power to all other components.
3. Press the **POWER** switch to the **ON** position.  
The power indicator on the rear panel lights up in green.
4. Play a source that contains low-frequency sounds. Adjust the amplifier's volume control to the desired listening level.
5. Rotate the **VOLUME** control gradually to adjust the volume balance between the subwoofer and the other speakers. In most cases, set the control to a level at which you hear slightly more bass than when the subwoofer is not used.
6. Adjust the volume of the entire sound system using the amplifier's volume control.
  - If you replace the front speakers (NX-E270) with other speakers, you must again balance the subwoofer and surround speaker volume.
  - For more information on adjusting the **VOLUME** control, refer to "Frequency characteristics" on page 11.

## Advanced YAMAHA Active Servo Technology (on the SW-P270)

The theory behind YAMAHA Active Servo Technology is based on two factors: the Helmholtz resonator and negative-impedance drive. Active Servo Processing speakers reproduce the bass frequencies through an “air woofer,” which is a port or opening in the speaker’s cabinet. This opening is used instead of, and performs the functions of, a woofer in a conventionally designed speaker system.

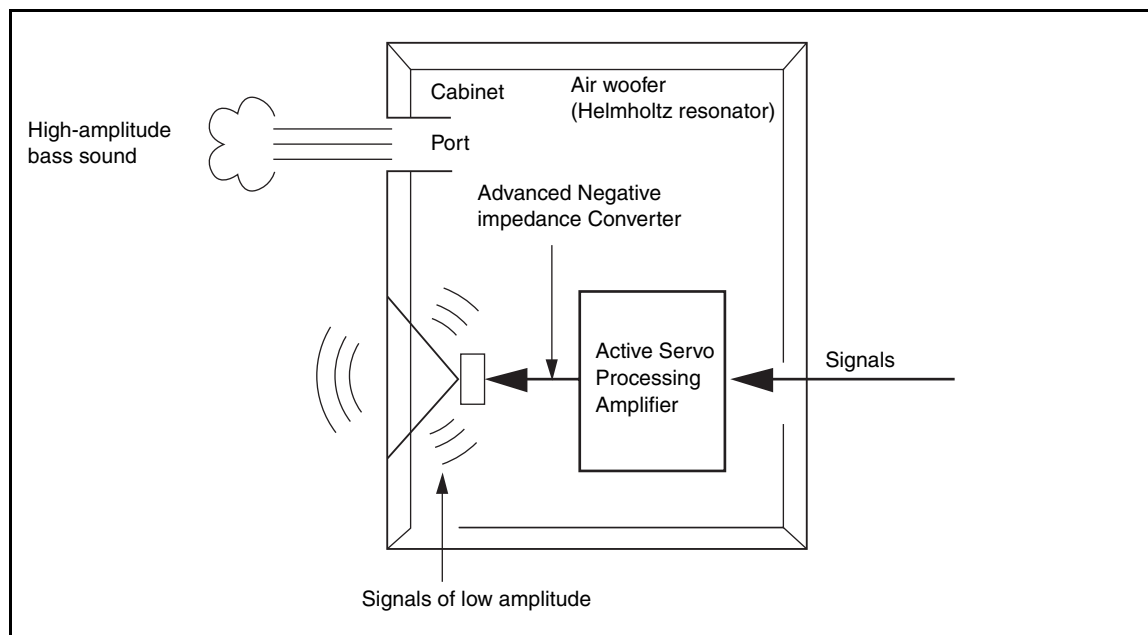
Thus, signals of low amplitude within the cabinet can, according to Helmholtz resonance theory, be output from this opening as waves of great amplitude if the size of the opening and the volume of the cabinet are in proportion to satisfy a certain ratio. In order to accomplish this, moreover, the amplitudes within the cabinet must be both precise and of sufficient power because these amplitudes must overcome the “load” presented by the air in the cabinet.

This problem is resolved by a design in which the amplifier supplies special signals. If the electrical resistance of the voice coil could be reduced to zero, the movement of the speaker unit would become linear with respect to signal voltage. To accomplish this, the system utilizes a special negative-impedance output-drive amplifier that subtracts the output impedance of the amplifier.

By employing negative-impedance drive circuits, the amplifier is able to generate precise, low-amplitude, low frequency waves with superior damping characteristics.

These waves are then radiated from the cabinet opening as high-amplitude signals. The system can, therefore, by employing the negative-impedance output drive amplifier and a speaker cabinet featuring a Helmholtz resonator, reproduce an extremely wide range of frequencies with outstanding sound quality and low distortion. The features described above combine to create the fundamental structure of conventional YAMAHA Active Servo Technology.

Our new Active Servo Technology — Advanced YAMAHA Active Servo Technology — adopts Advanced Negative Impedance Converter (ANIC) circuits, which allow the conventional negative impedance converter to dynamically vary to select an optimum value for speaker impedance variation. With these new ANIC circuits, Advanced YAMAHA Active Servo Technology provides a more stable performance and improved sound pressure compared to conventional YAMAHA Active Servo Technology, resulting in more natural and dynamic bass reproduction.



# Troubleshooting

Refer to the chart below if the unit does not function properly. If the problem you are experiencing is not listed, or if the instructions fail to help you resolve the problem, disconnect the power cord and contact your authorized YAMAHA dealer or service center.

Problem	Cause	What to Do
No sound.	Speaker cables are not connected securely.	Connect the speaker cables securely.
Sound level is too low.	Speaker cables are not connected correctly.	Connect the speaker cables correctly: L (left) to L, R (right) to R, “+” to “+” and “-” to “-”.

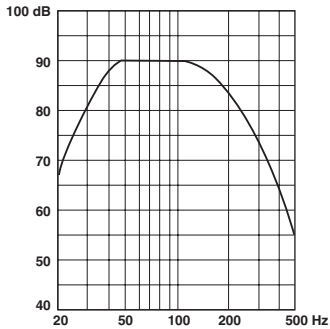
## For the Subwoofer (SW-P270) only

Problem	Cause	What to Do
Power is not supplied even though the POWER switch is set to the ON position.	The power plug is not securely connected.	Turn the power switch OFF, then connect the power plug securely.
No sound.	The VOLUME control is set to 0.	Turn the VOLUME control to the right (clockwise).
	The subwoofer cable is not connected securely.	Connect the subwoofer cable securely.
Sound level is too low.	You are playing a sound source that includes inadequate bass frequencies.	Play a sound source that includes more bass frequencies.
	The sound level has been diminished by standing waves.	Reposition the subwoofer, or break up the parallel wall surface by placing bookshelves or other large objects along the wall.

# Specifications

## Frequency characteristics

The following graph displays the frequency characteristics of the SW-P270 subwoofer.



### NX-E270/NX-C270

**Type** ..... Full-range acoustic-suspension speaker system, Magnetically shielded type

#### Driver

<NX-E270> ..... 8 cm (8-5/32") woofer +  
1.9 cm (3/4") balanced-dome tweeter

<NX-C270> ..... 5 cm (2") full-range  
cone speaker x 2

**Nominal Input Power** ..... 30 W

#### Maximum Input Power

<NX-E270> ..... 80 W

<NX-C270> ..... 100 W

**Impedance** ..... 6  $\Omega$

#### Frequency Response

<NX-E270> ..... 100 Hz – 25 kHz (–10 dB)

<NX-C270> ..... 130 Hz – 20 kHz (–10 dB)

#### Sensitivity

<NX-E270> ..... 85 dB/2.83 Vm

<NX-C270> ..... 85 dB/2.83 Vm

#### Dimensions (W x H x D)

<NX-E270> ..... 105 mm x 151 mm x 113 mm  
(4-1/8" x 5-15/16" x 4-7/16")

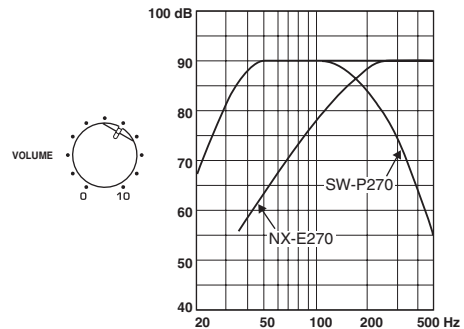
<NX-C270> ..... 300 mm x 72 mm x 113 mm  
(11-13/16" x 2-27/32" x 4-7/16")

#### Weight

<NX-E270> ..... 0.8 kg

<NX-C270> ..... 0.9 kg

The following graph displays the frequency characteristics of the SW-P270 subwoofer combined with NX-E270 speakers.



### SW-P270

**Type** ... Advanced YAMAHA Active Servo Technology  
Magnetically shielded type

**Driver** ..... 16 cm (6-5/16") cone woofer

**Output Power** ..... 50 W (100 Hz, 5  $\Omega$  at THD=10%)

**Dynamic Power** ..... 100 W, 5  $\Omega$

**Input Impedance** ... INPUT (1P RCA pin jack): 12 k $\Omega$

**Frequency Response** ..... 30 Hz – 200 Hz

**Input Sensitivity** ..... INPUT (1P RCA pin jack):  
100 mV (100 Hz, 5  $\Omega$  at 50 W)

#### Power Supply

[U.S.A. and Canada models] ..... AC 120 V, 60 Hz

[Australia model] ..... AC 240 V, 50 Hz

[U.K. and Europe models] ..... AC 230 V, 50 Hz

[China, Korea, Asia and General models]

..... AC 110-120/220-240 V, 50/60 Hz

#### Dimensions (W x H x D)

..... 200 mm x 365 mm x 370 mm  
(7-7/8" x 14-23/32" x 14-9/16")

**Weight** ..... 8.5 kg (18.7 lbs.)

Specifications are subject to change without notice.

# Precauciones

- 1 Para asegurar el mejor rendimiento posible, lea con atención este manual. Guárdelo en un lugar seguro para consultarlo en el futuro.
- 2 Instale los altavoces en un lugar fresco, seco y limpio: alejados de ventanas, fuentes de calor, fuentes de vibraciones excesivas, polvo, humedad o frío. Evite fuentes de zumbido eléctrico (transformadores y motores por ejemplo). Para impedir incendios o descargas eléctricas, no exponga los altavoces a la lluvia o al agua.
- 3 Para impedir que las cajas se deformen o pierdan color, no exponga los altavoces a la luz solar directa o a una humedad excesiva.
- 4 Evite instalar los altavoces donde puedan caer sobre ellos objetos extraños, y/o donde puedan estar expuestos al goteo o salpicadura de líquidos.
- 5 No ponga los objetos siguientes encima de los altavoces:
  - Otros componentes, porque pueden dañar o descolorar la superficie de los altavoces.
  - Objetos con fuego (velas por ejemplo) porque pueden causar un incendio, daños en los altavoces o lesiones a las personas.
  - Recipientes de líquidos, porque pueden derramar su contenido y dar descargas eléctricas al usuario o dañar los altavoces.
- 6 No ponga los altavoces donde puedan ser tirados o golpeados por objetos que se caen. Los lugares estables garantizan un mejor sonido.
- 7 Poner los altavoces en la misma estantería que un giradiscos puede causar realimentación.
- 8 El propietario es el responsable de que la colocación o la instalación sean seguras. YAMAHA no se hace responsable de los accidentes debidos a una mala colocación o instalación de los altavoces.
- 9 Si nota distorsión, reduzca el volumen en su amplificador. No haga funcionar su amplificador al límite de “amplitud”. De lo contrario, los altavoces podrían dañarse.
- 10 Cuando utilice un amplificador con una potencia nominal de salida superior a la potencia nominal de entrada de los altavoces, deberá tenerse cuidado para no superar la entrada máxima de los altavoces.
- 11 No limpie los altavoces con disolventes químicos porque podría dañar el acabado. Utilice un paño limpio y seco.
- 12 No intente modificar o arreglar los altavoces. Póngase en contacto con el personal de servicio de YAMAHA cuando necesite hacer reparaciones. No abra la caja bajo ninguna circunstancia.
- 13 Lea la sección “Solucionar problemas” para conocer los errores de funcionamiento más comunes antes de concluir que los altavoces tienen defectos.
- 3 Como esta unidad tiene un amplificador de potencia incorporado sale calor del panel trasero. Aleje la unidad de las paredes, dejando un espacio mínimo de 20 cm por encima, por detrás y a ambos lados de la unidad para evitar que se produzca un incendio o daños. Además, no ponga la unidad con el panel trasero hacia abajo en el suelo o en otras superficies.
- 4 Cuando utilice un humidificador, asegúrese de evitar la condensación dentro de esta unidad dejando un espacio suficiente alrededor de la misma y evitando el exceso de humidificación. La condensación puede causar un incendio, daños en la unidad y/o descargas eléctricas.
- 5 No tape el panel trasero de esta unidad con un periódico, mantel, cortina, etc. para evitar obstruir la salida del calor. Si sube la temperatura dentro de la unidad se puede producir un incendio que dañará la unidad o causará lesiones a personas.
- 6 No enchufe esta unidad a una toma de corriente hasta terminar todas las demás conexiones.
- 7 La tensión que se utilice deberá ser la indicada en el panel trasero. Utilizar esta unidad con una tensión superior a la especificada es peligroso y puede causar un incendio, daños en la unidad y/o lesiones a personas. YAMAHA no es responsable de los daños debido a la utilización de esta unidad con una tensión diferente de la especificada.
- 8 El sonido superbajos reproducidos por esta unidad pueden hacer que el giradiscos genere realimentación de audio. En este caso, separe la unidad del giradiscos.
- 9 Esta unidad se puede dañar si hay ciertos sonidos que salen continuamente con un nivel alto. Por ejemplo, si las ondas sinusoidales de 20 Hz–50 Hz de un disco de prueba o de los sonidos graves de un instrumento electrónico, etc. salen continuamente, o si la aguja del giradiscos toca la superficie del disco, reduzca el volumen para impedir que se dañe la unidad.
- 10 Si oye sonido distorsionado (es decir, sonido de “golpeteo” o “martilleo” no natural o intermitente, reduzca el nivel del sonido. Las frecuencias bajas de las pistas de sonido de películas demasiado altas, los sonidos de graves fuertes o los pasajes de música popular demasiado altos pueden dañar esta unidad.
- 11 La vibración generada por el sonido superbajo puede distorsionar la imagen de un televisor. En este caso, separe la unidad del televisor.
- 12 Cuando desconecte el cable de alimentación de la toma de corriente, sujete la clavija; no tire del cable.
- 13 Cuando no piense utilizar esta unidad durante mucho tiempo (en vacaciones, etc.) desconecte el cable de alimentación de CA de la toma de corriente.
- 14 Instale esta unidad cerca de la toma de CA, donde se pueda llegar fácilmente a la clavija de alimentación de CA.

Esta unidad dispone de un diseño a prueba de interferencias magnéticas, aunque existe la posibilidad de que, en el caso de colocarlo demasiado cerca de un aparato de TV, el color de la imagen pueda verse afectado. En este caso, aleje el sistema del televisor.

Aunque usted apague esta unidad con POWER, esta unidad no se desconectará de la fuente de alimentación de CA mientras esté conectada a la toma de CA.

## Para el SW-P270

- 1 No utilice esta unidad al revés. Puede recalentarse y dañarse.
- 2 No utilice demasiada fuerza con los conmutadores, controles o cables de conexión. Cuando traslade esta unidad, desconecte primero la clavija de alimentación y los cables conectados a otro equipo. No tire nunca de los cables.

- **VOLTAGE SELECTOR**

(Para modelos en China, Corea, Asia y modelos generales)

El interruptor de selección de tensión situado en el panel trasero de esta unidad debe ajustarse a la tensión principal de su emplazamiento ANTES de enchufar esta unidad a la corriente eléctrica. La selección de voltajes es para CA de 110-120/220-240 V, 50/60 Hz.

## Índice

<b>Precauciones</b> . . . . .	<b>i</b>
<b>Introducción</b> . . . . .	<b>2</b>
Contenido del paquete . . . . .	2
<b>Configurar los altavoces</b> . . . . .	<b>3</b>
Situar los altavoces frontal y surround (NX-E270) . . . . .	3
Situar el altavoz central (NX-C270) . . . . .	4
Situar el subwoofer (SW-P270) . . . . .	4
Instalar los altavoces frontales y surround . . . . .	5
<b>Conexiones</b> . . . . .	<b>6</b>
Ejemplo básico de conexión . . . . .	6
Conectar los cables de los altavoces . . . . .	7
Conectar componentes y el subwoofer a CA . . . . .	7
<b>Utilizar el subwoofer (SW-P270)</b> . . . . .	<b>8</b>
Pre-ajustar el volumen del subwoofer . . . . .	8
<b>Advanced YAMAHA Active Servo Technology (en el SW-P270)</b> . . . . .	<b>9</b>
<b>Solucionar problemas</b> . . . . .	<b>10</b>
<b>Especificaciones</b> . . . . .	<b>11</b>
Características de frecuencia . . . . .	11

# Introducción

Gracias por elegir el Home Cinema NS-P270 o NS-P276 con sistema de altavoces de 5.1/6.1 canales de Yamaha. Cada uno de estos sistemas incluye los siguientes altavoces:

- **NX-E270**

Los NX-E270 son altavoces con suspensión acústica de gama completa. Cada sistema incluye dos (2) altavoces frontales y dos (2) altavoces surround. Además, el sistema NS-P276 incluye un NX-E270 adicional que sirve como altavoz posterior surround.

- **NX-C270**


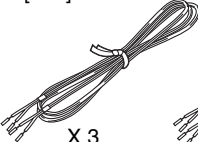
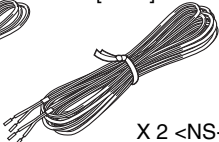

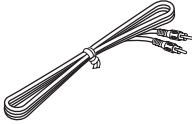
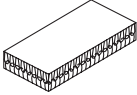
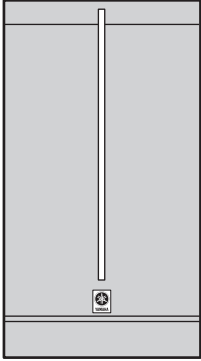
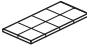
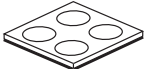
El NX-C270 es un altavoz central con suspensión acústica de gama completa.

- **SW-P270**

El SW-P270 es un subwoofer que incorpora un amplificador de potencia integrado. Utiliza la tecnología avanzada Active Servo de Yamaha para reproducir sonidos de la gama de super-bajos de calidad superior que añaden una dimensión rica y realista al home theater. (Consulte la página 9, para información más detallada acerca de la tecnología avanzada Active Servo de Yamaha).

## Contenido del paquete

Asegúrese de que los siguientes elementos están incluidos en el paquete.

<p>Altavoces frontal y surround (y altavoz surround posterior en el NS-P276)</p> <p style="text-align: center;"><b>NX-E270</b></p>  <p>X 4 &lt;NS-P270&gt; X 5 &lt;NS-P276&gt;</p>	<p>Cables de los altavoces</p> <p>[4 m]                      [10 m]</p>  <p>X 3</p>  <p>X 2 &lt;NS-P270&gt; X 3 &lt;NS-P276&gt;</p>	
<p>Altavoz central</p> <p style="text-align: center;"><b>NX-C270</b></p> 	<p>Cable del Subwoofer</p> 	<p>Topes (para el NX-C270)</p>  <p>X 2</p>
<p>Subwoofer</p> <p style="text-align: center;"><b>SW-P270</b></p> 	<p>Tacos antideslizantes (1 juego, 8 piezas) (para el NX-E270)</p>  <p>X2 &lt;NS-P270&gt; X3 &lt;NS-P276&gt;</p>	<p>Tacos antideslizantes (1 juego, 4 piezas) (para el SW-P270)</p> 

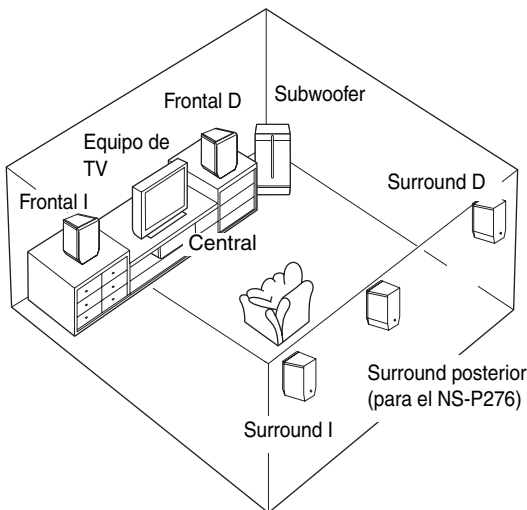


# Configurar los altavoces

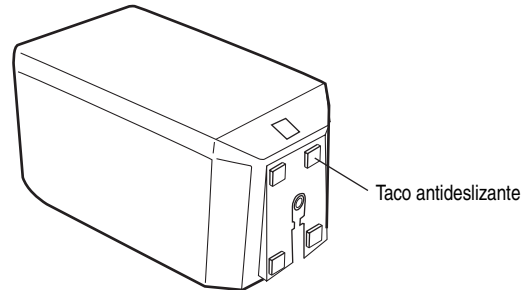
Antes de conectar los altavoces, sitúe cada altavoz en su posición correspondiente. La ubicación de los altavoces es muy importante, ya que afecta a la calidad de sonido global del sistema. Sitúe los altavoces en ubicaciones que optimicen la calidad de sonido en la posición de audición. Consulte la ilustración a continuación.

La posición del subwoofer no es tan crítica como la posición del resto de los altavoces, ya que los sonidos de bajo no son altamente direccionales. Consulte “Situación del subwoofer (SW-P270)” en la página 4, para más información.

**Nota:** Estos altavoces están blindados magnéticamente. No obstante, si los sitúa demasiado cerca de un televisor, puede afectar a la imagen en color. En ese caso, aleje los altavoces del televisor.



## Situación de los altavoces frontal y surround (NX-E270)



**Altavoces frontales:** Sitúe los dos altavoces frontales en los lados derecho e izquierdo del televisor, aproximadamente a la misma altura que el televisor, totalmente hacia delante.

**Altavoces surround:** Sitúe los altavoces surround derecho e izquierdo detrás de la posición de audición, ligeramente hacia dentro, a unos 1,8 m por encima del suelo.

**Altavoz surround posterior (sólo para los sistemas NS-P276):** Sitúe el altavoz surround posterior detrás de la posición de audición, justo entre los altavoces surround, a unos 1,8 m por encima del suelo.

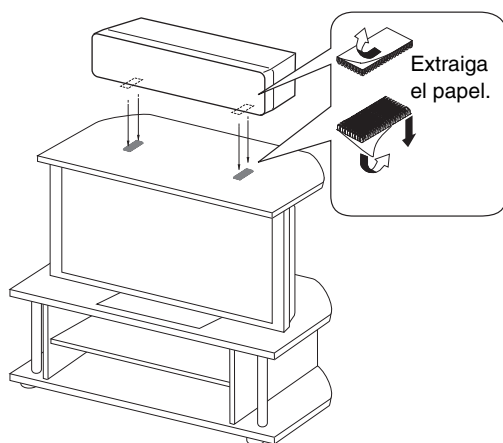
Puede colocar los altavoces frontal, surround y surround posterior en una mesa o en algún otro tipo de soporte, o montarlos en un soporte para la pared o un soporte de altavoz. (Para más información, consulte “Instalar los altavoces frontales y surround” en la página 5.)

**Tacos antideslizantes:** Si coloca los altavoces en una superficie plana, adjunte los tacos antideslizantes incluidos en las esquinas de la parte inferior de los altavoces, tal como se muestra a continuación. Los tacos antideslizantes evitarán que los altavoces se deslicen.

## Situar el altavoz central (NX-C270)

Sitúe el altavoz central justo entre los altavoces frontales, totalmente hacia delante. Puede situar el altavoz central encima de un televisor (sólo si su superficie es plana), en el suelo debajo del televisor o en un centro de entretenimiento. Asegúrese de situar el altavoz en una superficie estable.

Al situar el altavoz encima de la estantería del televisor, para evitar que se caiga, adjunte los topes incluidos, en dos puntos de la parte inferior de los altavoces y encima del televisor, tal como se muestra a continuación.



### Precauciones:

- No sitúe el altavoz central en un televisor cuya área de superficie superior sea más pequeña que la parte inferior del altavoz. El altavoz podría caerse y provocar daños.
- No sitúe el altavoz central en un televisor que tenga una superficie superior desigual o inclinada.
- No toque la superficie adhesiva de un tope después de extraer el papel, ya que podría reducir su poder adhesivo.
- Limpie concienzudamente la superficie donde va a adjuntar el tope. Tenga en cuenta que el poder adhesivo se reducirá si la superficie está sucia, grasienta o húmeda. Un adhesivo debilitado podría causar que el altavoz central se cayera.

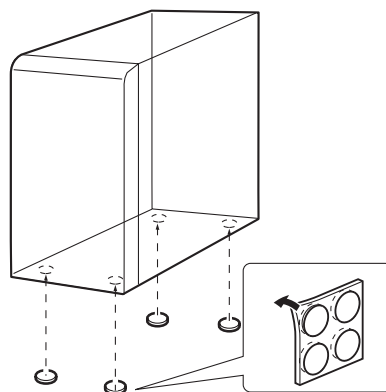
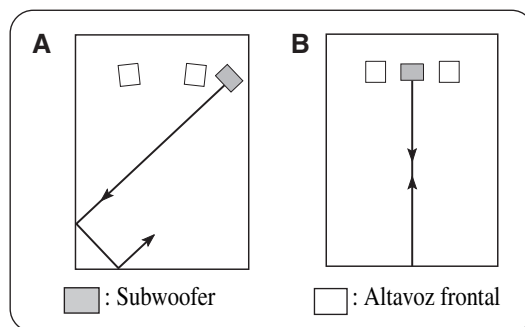
## Situar el subwoofer (SW-P270)

Se recomienda colocarlo en el lado exterior del altavoz delantero derecho o izquierdo. (Consulte la fig. **A**.) La ubicación indicada en la fig. **B** también se puede usar, sin embargo, si el sistema de ultragraves se coloca mirando directamente la pared, el efecto de los graves se perderá debido a que el sonido de ellos y el sonido reflejado por la pared se anularán entre sí. Para evitar que esto suceda, coloque el sistema de ultragraves en ángulo tal como se indica en la fig. **A**.

### Nota:

Puede darse el caso que al usar este altavoz de ultragraves no se logre obtener un buen sonido de ultragraves al escuchar en el centro de la sala. Esto se debe a que las "ondas estacionarias" se generan entre dos paredes paralelas y cancelan el sonido de los graves.

En ese caso, coloque el altavoz de ultragraves oblicuamente a la pared. También puede ser útil romper el paralelismo de las superficies colocando bibliotecas, etc. a lo largo de las paredes.



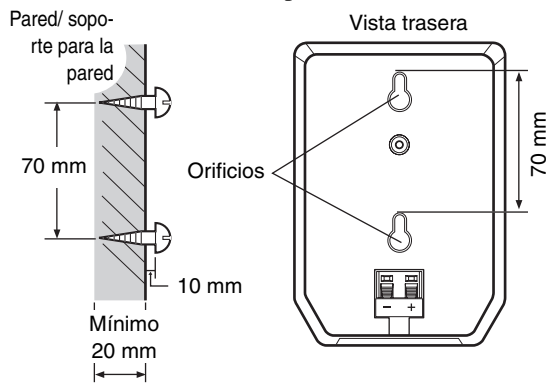
**Tacos antideslizantes:** Adjunte los tacos antideslizantes incluidos en las cuatro esquinas de la parte inferior del subwoofer para evitar que se deslice a causa de vibraciones o de impactos.

## Instalar los altavoces frontales y surround

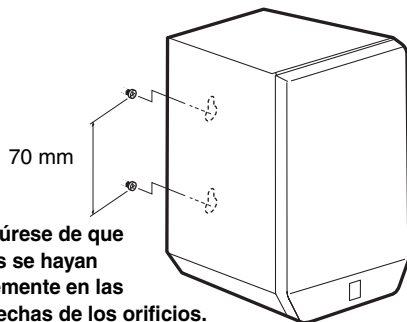
Puede situar los altavoces frontales y surround (y el altavoz surround posterior de un sistema NS-P276) en una estantería o en rack, colocarlos en el suelo o instalarlos en un soporte para la pared o un soporte de altavoz.

### Para instalar los altavoces en una pared:

1. Fije los tornillos en una pared firme o en un soporte para la pared, tal como se muestra a continuación. (Utilice tornillos de fijación de 3,5 a 4 mm de diámetro disponibles en el mercado.)



2. Cuelgue el altavoz colocando los orificios del panel trasero del altavoz en los tornillos que sobresalen.



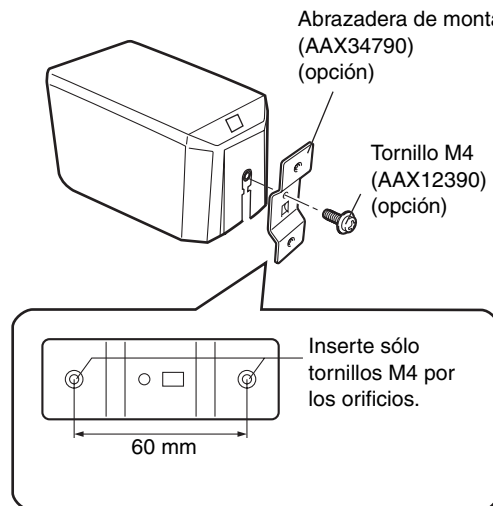
**Nota: Asegúrese de que los tornillos se hayan fijado firmemente en las partes estrechas de los orificios.**

### Precauciones:

- Cada altavoz frontal o surround pesa 0,8 kg. No instale los altavoces en madera de chapa muy delgada o en una pared hecha con un material muy fino. Si lo hiciera, los tornillos podrían salir de la superficie y los altavoces podrían caerse, lo cual causaría daños en los altavoces o daños personales.
- No fije los altavoces en una pared utilizando las uñas, adhesivos o material poco seguro. La utilización prolongada y las vibraciones podrían causar que los altavoces se cayeran.
- Para evitar tropezar con los cables de los altavoces, fíjelos en la pared.
- Instale los altavoces en un lugar de la pared donde no puedan alcanzar la cabeza de alguien.

## Instalación de los altavoces en bases de altavoces de venta en el comercio:

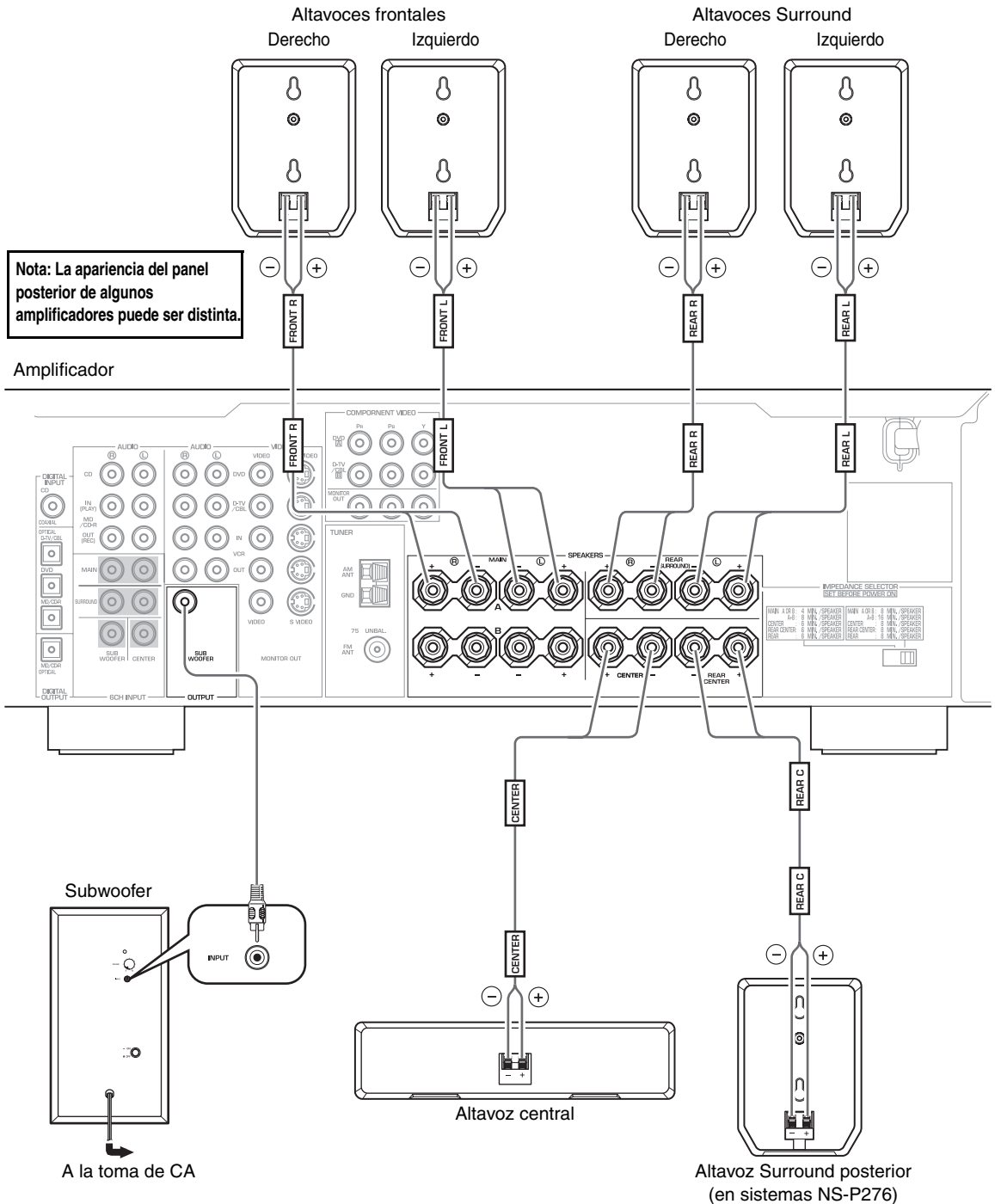
Puede montar los altavoces delanteros, surround y surround traseros en bases de altavoces. Cuando instale los altavoces en bases de altavoces de venta en el comercio necesitará colocar ménsulas en la parte inferior de los altavoces utilizando un tornillo.



# Conexiones

**Precaución:** Conecte los cables de alimentación del subwoofer y de otros componentes de audio/ vídeo a una toma de CA sólo después de completar todas las otras conexiones.

## Ejemplo básico de conexión

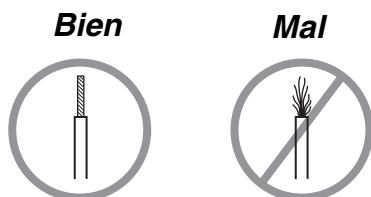


## Conectar los cables de los altavoces

El cable de los altavoces debe ser tan corto como sea posible. No ate ni enrolle los cables excesivamente. Si las conexiones no son correctas, los altavoces no emitirán sonido.

### Antes de conectar los cables:

Pele una pequeña cantidad (aproximadamente 10 mm) del aislamiento de los extremos de cada cable de altavoz.



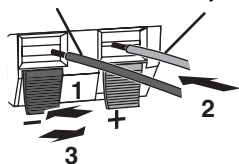
Un lado del cable de altavoz incluido está marcado con una línea blanca discontinua; el otro lado no tiene línea.

Conecte el terminal (+) del altavoz al terminal (+) del amplificador utilizando el lado del cable marcado con la línea blanca discontinua. Conecte los terminales (-) en ambos componentes utilizando el lado sin línea del cable de altavoz.

### Insertar los cables:

1. Mantenga pulsada la lengüeta del terminal, tal como se muestra en la figura a continuación.
2. Inserte el extremo del cable pelado.
3. Suelte el dedo de la lengüeta para permitir que el cable pelado quede ajustado con seguridad.
4. Compruebe que la conexión es segura tirando ligeramente del cable en el terminal.

Negro: negativo (-)      Rojo: positivo (+)



**Nota:** No inserte el aislamiento en el agujero. Puede que no se produzca sonido.

**Nota:** No deje que los cables no aislados de los altavoces se toquen, ya que con ello podrían producirse daños en el altavoz o en el amplificador.

## Conexiones:

- Conecte los altavoces frontales, central y surround (y el altavoz surround posterior para el NS-P276) a los terminales de salida de altavoz en el amplificador utilizando los cables de altavoz incluidos.
  - Los cables de altavoz incluidos contienen etiquetas marcadas como FRONT L, FRONT R, CENTER, REAR L, REAR R (y REAR C para el NS-P276). Conecte cada cable de altavoz al altavoz correspondiente, tal como se muestra en la figura de la página 6.
  - Conecte cada altavoz asegurándose de que no se invierte la polaridad (+, -). Si el altavoz se conecta con la polaridad invertida, el sonido sonará poco natural y sin bajos.
  - Sólo para los altavoces frontales y surround, conecte un altavoz a los terminales izquierdo (marcados como L) en el amplificador y el otro altavoz a los terminales derechos (marcados como R).
- Conecte el subwoofer al/los terminal/es de salida de línea (jack de patilla) del amplificador.
  - Para conectar un amplificador DSP de Yamaha (o receptor AV), conecte el terminal SUBWOOFER (o LOW PASS, etc.) del panel posterior del amplificador DSP (o receptor AV) al terminal INPUT del subwoofer.

### Interruptor VOLTAGE SELECTOR (Para modelos en China, Corea y modelos generales):

Esta unidad cuenta con un selector de voltaje en el panel posterior. Si el ajuste prefijado del interruptor es incorrecto, ajuste el interruptor a la gama de voltaje correcta (220 V-240 V o 110 V-120 V) de su región. Consulte con su distribuidor si no está seguro del ajuste correcto.

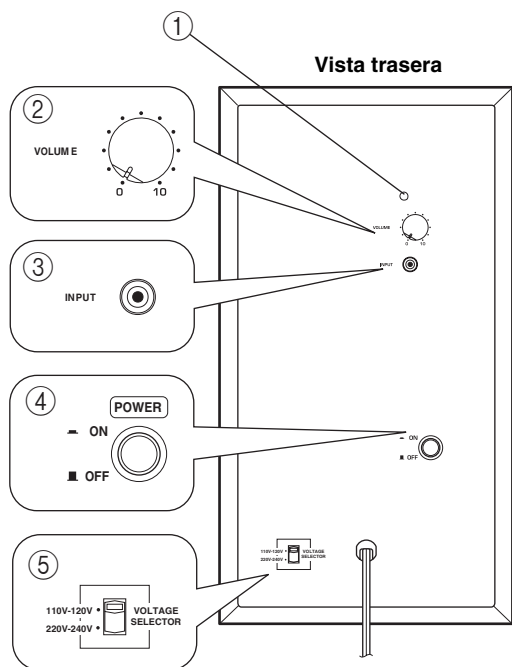
#### ADVERTENCIA

No conecte el subwoofer a la salida de CA sin antes ajustar el SELECTOR DE VOLTAJE.

## Conectar componentes y el subwoofer a CA

Después de finalizar las conexiones de todos los altavoces y del subwoofer, conecte el amplificador, otros componentes de audio/vídeo y el subwoofer a una toma de CA con el voltaje apropiado. Asegúrese de que el control **VOLUME** del subwoofer está ajustado a 0 antes de proceder con el ajuste del balance del altavoz, como se describe en la página 8.

# Utilizar el subwoofer (SW-P270)



## ① Indicador Power

Se ilumina en VERDE cuando el conmutador **POWER** ④ está activado **ON**; se desactiva cuando el conmutador **POWER** está desactivado **ON**.

## ② Control VOLUME

Ajusta el nivel de volumen. Gire el control en sentido horario para aumentar el volumen y en sentido antihorario para reducirlo.

## ③ Terminal INPUT

Terminal de entrada para las señales de nivel de línea del amplificador.

## ④ Conmutador POWER

Coloque este conmutador en la posición **ON** para activar el subwoofer. Cuando el subwoofer está activado, el indicador power ① del panel posterior se ilumina en verde. Vuelva a colocar este conmutador en la posición **OFF** para desactivar el subwoofer.

## ⑤ Interruptor VOLTAGE SELECTOR (Para modelos en China, Corea y modelos generales)

Si el ajuste prefijado del interruptor es incorrecto, ajuste el interruptor a la gama de voltaje correcta (220 V-240 V o 110 V-120 V) de su región.

Consulte con su distribuidor si no está seguro del ajuste correcto.

### ADVERTENCIA:

**Asegúrese de desenchufar el altavoz ultragraves antes de ajustar correctamente el interruptor VOLTAGE SELECTOR.**

## Pre-ajustar el volumen del subwoofer

Antes de utilizar el subwoofer, primero ajuste el balance de volumen entre el subwoofer y los altavoces frontales siguiendo el procedimiento a continuación.

1. Ajuste el control **VOLUME** al mínimo (0).
2. Active el resto de componentes.
3. Coloque el conmutador **POWER** en la posición **ON**.  
El indicador power del panel posterior se ilumina en verde.
4. Reproduzca una fuente que contenga sonidos de baja frecuencia. Ajuste el control de volumen del amplificador al nivel de audición deseado.
5. Gire gradualmente el control **VOLUME** para ajustar el balance del volumen entre el altavoz de graves secundarios y los demás altavoces. En la mayoría de los casos, ajuste el control a un nivel en el que se oiga un poco más de bajos que cuando el subwoofer no se utiliza.
6. Ajuste el volumen de todo el sistema de sonido utilizando el control de volumen del amplificador.
  - Si sustituye los altavoces frontales (NX-E270) con otros altavoces, debe volver a ajustar el volumen del subwoofer y de los altavoces surround.
  - Para más información sobre el ajuste del control **VOLUME**, consulte la sección "Características de frecuencia" en la página 11.

## Advanced YAMAHA Active Servo Technology (en el SW-P270)

La teoría de la tecnología avanzada Active Servo de Yamaha se basa en dos factores: el resonador Helmholtz y la conducción de impedancia negativa. Los altavoces de procesamiento Active Servo reproducen las frecuencias de bajos a través de un “air woofer”, que es un puerto o abertura en el mueble del altavoz.

Esta abertura se utiliza en lugar de un woofer de un sistema de altavoces diseñado de forma convencional y realiza sus funciones.

Por ello, las señales de baja amplitud dentro del mueble pueden, según la teoría de resonancia Helmholtz, emitirse desde esta abertura como ondas de gran amplitud si el tamaño de la abertura y el volumen del mueble son proporcionales para satisfacer un intervalo en concreto. Para cumplir este factor, además, las amplitudes dentro del mueble deben ser precisas y tener la potencia suficiente, ya que estas amplitudes deben superar la “carga” presentada por el aire del mueble.

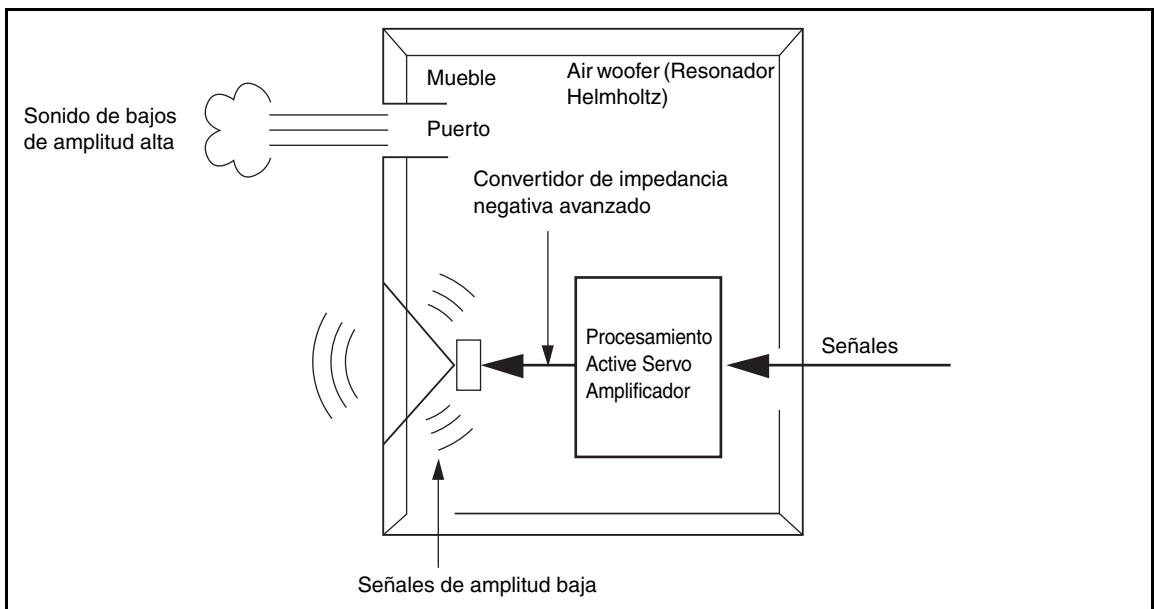
Este problema se resuelve con un diseño en el que el amplificador suministre señales especiales. Si la resistencia eléctrica de la bobina vocal pudiera reducirse a cero, el movimiento de la unidad del altavoz pasaría a ser lineal con respecto al voltaje de la señal. Para cumplir este factor, el sistema utiliza un amplificador especial con conducción de salida de la impedancia negativa que sustrae la impedancia de salida del amplificador.

Utilizando circuitos de conducción de impedancia negativa, el amplificador puede generar ondas precisas, de baja amplitud y de baja frecuencia con características de amortiguación superiores.

Entonces, estas ondas se desprenden de la abertura del mueble como señales de amplitud alta. Por lo tanto, utilizando el amplificador con conducción de salida de la impedancia negativa y un mueble de altavoz que incorpore un resonador Helmholtz, el sistema puede reproducir una amplia gama de frecuencias con calidad de sonido excelente y baja distorsión.

Las funciones descritas anteriormente se combinan para crear la estructura fundamental de la tecnología convencional Active Servo de Yamaha.

Nuestra nueva tecnología Active Servo — Advanced Yamaha Active Servo— adopta circuitos de convertidores de impedancia negativa avanzados (ANIC), que permiten al convertidor de impedancia negativa convencional variar de forma dinámica para seleccionar un valor óptimo para la variación de la impedancia del altavoz. Con estos nuevos circuitos ANIC, la tecnología avanzada Active Servo de Yamaha proporciona una interpretación más estable y una mejor presión de sonido comparado con la tecnología Active Servo convencional de Yamaha, proporcionando una reproducción de bajos más natural y dinámica.



# Solucionar problemas

Consulte la tabla a continuación si la unidad no funciona correctamente. Si el problema que ocurre no aparece en la lista o si las instrucciones no sirven para resolver el problema, desconecte el cable de alimentación y contacte con un distribuidor autorizado o con un centro de servicio Yamaha.

Problema	Causa	Qué hacer
No hay sonido.	Los cables de altavoz no están conectados firmemente.	Conecte los cables de altavoz con firmeza
El nivel de sonido es muy bajo.	Los cables de altavoz no están conectados correctamente.	Conecte los cables de altavoz correctamente: L (izquierdo) a L, R (derecho) a R, “+” a “+” y “-” a “-”.

## Sólo para el Subwoofer (SW-P270)

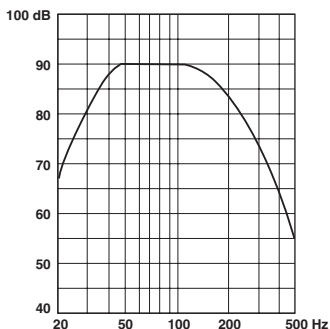
Problema	Causa	Qué hacer
No se suministra alimentación aunque el conmutador POWER está en la posición ON.	El conector de la alimentación no está conectado con firmeza.	Coloque el conmutador power a la posición OFF, y a continuación conecte el conector de la alimentación con firmeza.
No hay sonido.	El control VOLUME está ajustado a 0.	Gire el control VOLUME hacia la derecha (sentido horario).
	Los cable del subwoofer no están conectados firmemente.	Conecte los cable del subwoofer con firmeza.
El nivel de sonido es muy bajo.	Está reproduciendo una fuente de sonido que incluye frecuencias de bajos inadecuadas.	Reproduzca una fuente de sonido que incluya más frecuencias de bajos.
	El nivel de sonido ha sido reducido por las ondas flotantes.	Vuelva a situar el subwoofer o divida la superficie paralela de la pared, colocando estanterías para libros u otros objetos grandes en la pared.



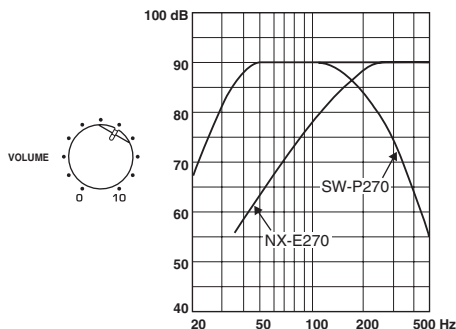
# Especificaciones

## Características de frecuencia

La gráfica siguiente visualiza las características de frecuencia del subwoofer SW-P270.



La gráfica siguiente visualiza las características de frecuencia del subwoofer SW-P270 combinado con los altavoces NX-E270.



### NX-E270/NX-C270

**Tipo** ..... Sistema de altavoces con suspensión acústica de gama completa, Tipo blindado magnéticamente

#### Controlador

- <NX-E270> ..... Altavoz de graves de 8 cm + altavoz de agudos de cúpula equilibrada de 1,9 cm
- <NX-C270> .... altavoz conoidal de 5 cm de gama completa x 2

**Potencia de entrada nominal**.....30 W

#### Potencia de entrada máxima

- <NX-E270> ..... 80 W
- <NX-C270> ..... 100 W

**Impedancia**..... 6  $\Omega$

#### Respuesta de frecuencia

- <NX-E270> ..... 100 Hz – 25 kHz (-10 dB)
- <NX-C270> ..... 130 Hz – 20 kHz (-10 dB)

#### Sensibilidad

- <NX-E270> ..... 85 dB/2,83 Vm
- <NX-C270> ..... 85 dB/2,83 Vm

#### Dimensiones (Anchura x Altura x Profundidad)

- <NX-E270> ..... 105 mm x 151 mm x 113 mm
- <NX-C270> ..... 300 mm x 72 mm x 113 mm

#### Peso

- <NX-E270> ..... 0,8 kg
- <NX-C270> ..... 0,9 kg

### SW-P270

**Type**..... Advanced Yamaha Active Servo Technology, Tipo blindado magnéticamente

**Controlador** ..... woofer conoidal de 16 cm

#### Potencia de salida

..... 50 W (100 Hz, 5  $\Omega$  a THD= 10 %)

**Potencia dinámica** ..... 100 W, 5  $\Omega$

#### Impedancia de entrada

..... INPUT (jack pin 1P RCA): 12 k $\Omega$

**Respuesta de frecuencia** ..... 30 Hz – 200 Hz

**Sensibilidad de entrada** .....INPUT (1P RCA jack pin): 100 mV (100 Hz, 5  $\Omega$  a 50 W)

#### Alimentación

- [Modelos para los EE.UU. y Canadá]..... CA 120 V, 60 Hz
- [Modelo para Australia].....CA 240 V, 50 Hz
- [Modelos para Europa y el Reino Unido] .....CA 230 V, 50 Hz
- [Modelos para China, Corea y Asia y modelos generales] ..... CA 110~120/220~240 V, 50/60 Hz

#### Dimensiones (Anchura x Altura x Profundidad)

..... 200 mm x 365 mm x 370 mm

**Peso** ..... 8,5 kg

Las especificaciones están sujetas a cambio sin previo aviso.

# 注意事项

- 1 为了得到最好的操作，请仔细阅读本使用说明书。请妥善保存本说明书，以备以后查阅。
- 2 本机安装在乾燥清之要远离窗户、热源、产生强烈振动、有灰尘及阴冷潮湿之处。不要靠近其他产生蜂鸣的电器产品（如变压器、电动机等）。为了避免火灾和电击，不要将机器置于水中或雨以及其他任何液体之中。
- 3 为了避免外壳翘曲或褪色，不要将扬声器置于直射日光之下或过于潮湿的环境。
- 4 扬声器安装应该选择没有异物掉入以及 / 或者没有液体滴落或飞溅的地方。
- 5 在本机之上，请不要堆放以下物品：
  - 其他装置。因为使得本机表面褪色甚至损害本机。
  - 燃烧物（比如蜡烛等）。因为燃烧物会造成本机损害甚至造成人身伤害。
  - 装有液体的容器。因为液体飞溅会造成用户触电或者损坏扬声器。
- 6 不要把扬声器放置在有可能被撞翻或被其他落体击中的地方。安定的放置场所是好音质的必须条件。
- 7 扬声器与电唱机放在同一台架时可能产生反馈。
- 8 安全的放置和安装是用户自己应负的责任。YAMAHA 对于扬声器的不妥当放置和安装所引起的事故不负任何责任。
- 9 如果您察觉到失真，请降低放大器的音量。不要将放大器调节到极限位置。要不然，扬声器就会损坏。
- 10 如果使用的放大器的额定输出功率高于扬声器的名义输入功率，就必须注意，不要使得输入超过扬声器的最大输入。
- 11 不要使用化学溶剂清洗扬声器，以免损坏其表面涂层。请使用清洁的干布匹。
- 12 不要试图改装或修理扬声器。如果需要服务，请与 YAMAHA 的服务人员联系。任何时候都不要打开壳体。
- 13 在通常的操作中，如果出现操作错误，在断定扬声器出现故障之前，请首先对照“故障对策”一节中的内容检查。
- 4 如果使用增湿器，在本装置的周围保留足够的空间，不要湿度过大，以免造成本装置内部结露。内部结露可以导致火灾，对机器产生损坏和 / 或者触电。
- 5 不要使用报纸、桌布或窗帘等物堵塞本机背部，因为这样会妨碍机器的通风散热。如果机器内部温度升高，就会导致火灾、本机的损坏甚至人身伤害。
- 6 在所有的连接完成之前，不要将本装置接入电源。
- 7 使用的电压要符合背部面板上所标明的数值。使用的电压高于本机的规定电压是很危险的，会导致火灾、本机的损坏和 / 或者人身伤害。对于使用的电压高于本机的规定电压所造成的损害，YAMAHA 将不负任何责任。
- 8 本机产生的超低音可能会导致电唱机发生音频反馈。在这种情况下，将本机远离电唱机放置。
- 9 如果某种声音以高音量连续输出，也许会损坏本机。例如，试验碟片中发出的 20Hz-50Hz 的正弦波或电子装置中发出的低音等连续输出，或者电唱机的唱针接触碟片表面，请降低音量以保护本机不受损坏。
- 10 如果您听到从本机发出的扭曲的噪音（例如，不自然，中断，敲击或捶打声），请降低音量。极响亮的电影配乐低频，超低音，或类似的高音量流行音乐在通过扬声器时，可能损坏本机。
- 11 超低音引起的震动可能使得电视机的影像扭曲。在这种情况下，将本机远离电视机。
- 12 从墙上的电源插座中拔出电源插头时，请一定握住插头，不可拉拽电源线。
- 13 如果长时间不使用本机（比如假期等），请从电源插座上拔掉电源线。
- 14 将本机靠近电源插座安装以便电源的接插。

只要本机连接在墙壁上的交流电源插座上，即使您通过 POWER 按钮关闭本机，本机并没有从交流电源上断开。

虽然本机采用磁屏蔽设计，但若摆放位置与电视机过于接近，则仍可能影响电视的画面色彩。在此情况下，把本机搬离电视机。

## 关于 SW-P270

- 1 不能上下颠倒使用本装置。这样会造成过热，也可能造成损坏。
- 2 不要对开关，控制旋钮以及连接缆线过分用力。移动本装置时，首先断开电源插头，然后断开与其他装置的连接缆线。不要拉拽缆线本身。
- 3 因为本装置具有内藏的放大器，所以背部发热。在机器和墙壁之间要保留空间，空间的大小为上面、两侧面和背面不小于 20 厘米。此外，不要将背面向下对准地板或其他平面放置。

- VOLTAGE SELECTOR (电压选择器)  
 (中国, 韩国, 亚洲和通用型号)  
 电压选择器位於本装置的後面板, 把本装置插入交流主电源前, 必须把电压设定於适合当地的主电压。  
 电压为 110-120V/220-240 V AC, 50/60 Hz。

## 目录

注意事项 . . . . .	i
介绍 . . . . .	2
包装内容 . . . . .	2
扬声器设置 . . . . .	3
前置扬声器和环绕扬声器 (NX-E270) 的定位 . . . . .	3
中置扬声器 (NX-C270) 的定位 . . . . .	4
重低音扬声器 (SW-P270) 的定位 . . . . .	4
安装前置和环绕扬声器 . . . . .	5
连接 . . . . .	6
基本连接示例 . . . . .	6
扬声器连线的连接 . . . . .	7
将视听设备和重低音扬声器连接到 AC 电源 . . . . .	7
使用超低音扬声器 (SW-P270) . . . . .	8
预调节超低音扬声器音量 . . . . .	8
Advanced YAMAHA Active Servo Technology (在 SW-P270 系统中) . . . . .	9
故障排除 . . . . .	10
规格 . . . . .	11
频率特点 . . . . .	11

# 介绍

感谢您选购 Yamaha NS-P270 或 NS-P276 家庭影院 5.1/6.1 信道扬声器系统。各系统由以下各个扬声器组成：

- **NX-E270**

NX-E270 为全声场气垫式扬声器。各系统扬声器包括两个 (2) 前置和两个 (2) 环绕扬声器。此外，作为后置环绕扬声器，NS-P276 系统包括一个附加的 NX-E270。

- **NX-C270**


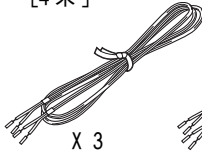
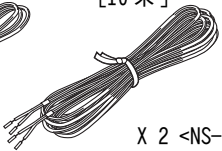

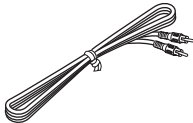
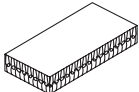
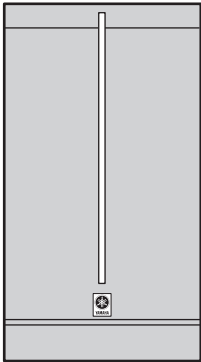
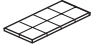
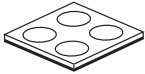
NX-C270 为全声场气垫式中置扬声器。

- **SW-P270**

SW-P270 是带有内置功率放大器的超低音扬声器。它使用高级的 Yamaha 主动伺服技术，重现高品质的超低音声场音效，为您的家庭影院增添真实丰富的空间感。（关于高级的 Yamaha 主动伺服技术的详细信息请参见第 9 页。）

## 包装内容

请确认包装盒内有以下物品：

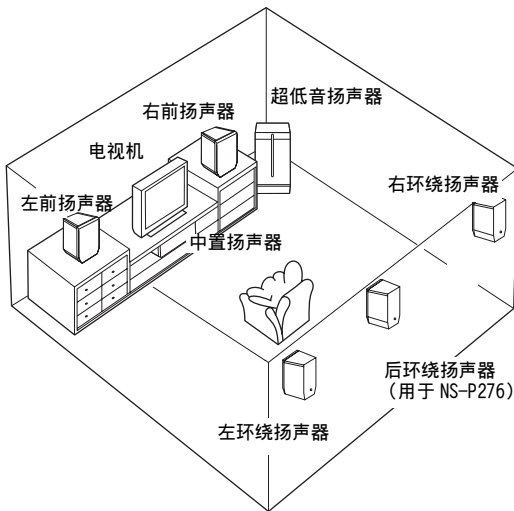
<p>前置和环绕扬声器 (以及在 NS-P276 中的后环绕扬声器)</p> <p>NX-E270</p>  <p>X 4 &lt;NS-P270&gt; X 5 &lt;NS-P276&gt;</p>	<p>扬声器连线</p> <p>[4 米]                      [10 米]</p>  <p>X 3</p>  <p>X 2 &lt;NS-P270&gt; X 3 &lt;NS-P276&gt;</p>	
<p>中置扬声器</p> <p>NX-C270</p> 	<p>超低音连线</p> 	<p>紧固件 (用于 NX-C270)</p>  <p>X 2</p>
<p>重低音扬声器</p> <p>SW-P270</p> 	<p>防滑垫 (1 套, 8 个) (用于 NX-E270)</p>  <p>X 2 &lt;NS-P270&gt; X 3 &lt;NS-P276&gt;</p>	<p>防滑垫 (1 套, 4 个) (用于 SW-P270)</p> 

# 扬声器设置

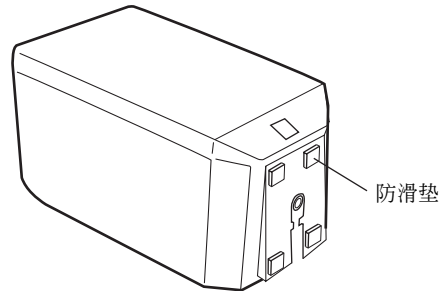
在连接扬声器前，请将各个扬声器放置在各自的地方。因为会影响到系统的整体声效质量，所以扬声器的定位非常重要。将扬声器放置在从聆听位置可以聆听到最佳效果的地方。请参考下面的图示。

超低音扬声器的定位不像其他扬声器定位那样严格，因为低音声调没有那麽直接。更多详细信息请参考第 4 页上的「超低音扬声器 (SW-P270) 的定位」。

**注意：**这些扬声器都是磁性屏蔽的。但是，如果您将他们放置在距离电视过近的地方，将会造成电视图像的脱色。发生此类情况时，请将扬声器放置在远离电视的地方。



## 前置扬声器和环绕扬声器 (NX-E270) 的定位



**前置扬声器：**将两个前置扬声器放置在电视机的左右两侧，高度大约与电视机的高度持平，正面向前。

**环绕扬声器：**将左右环绕扬声器放置在聆听位置的后面，朝向稍微向内，距离地面大约 1.8 米。

**后环绕扬声器（仅限于 NS-P276 系统）：**将后环绕扬声器定位在聆听位置的后面，位于两个环绕扬声器的正中间，距离地面大约 1.8 米。

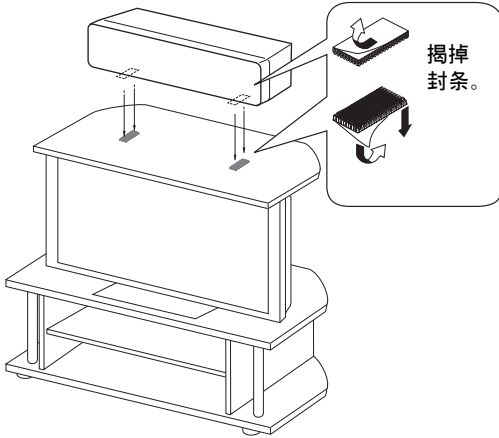
您可以将前置，环绕和后环绕扬声器放置在桌子上或其他支架上，或者将扬声器安装在墙上或扬声器支架上。（更多详细信息，请参见第 5 页上的「安装前置和环绕扬声器」。）

**防滑垫：**将扬声器放置在平面上时，可以将防滑垫粘贴在扬声器底部的角上，如上图所示。防滑垫可以防止扬声器滑动。

## 中置扬声器（NX-C270）的定位

将中置扬声器放置在前置扬声器的正中间，正面向前。您可以将中置扬声器放置在电视机的顶部（如果电视机顶部是平面），电视机下面的地板上，或放置在家庭影院的中间位置。要确认将扬声器放置在一个稳定的位置上。

将扬声器放置在电视小台架的顶部等时，为防止扬声器跌落，将随机提供的紧固件粘贴在扬声器的底部和电视机的顶部，如下图所示。

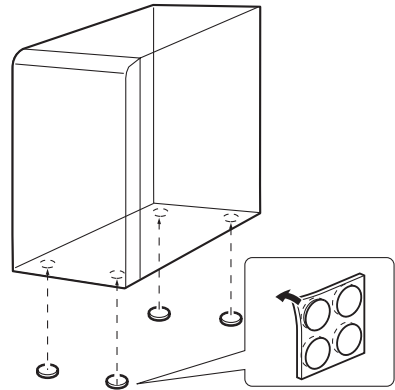
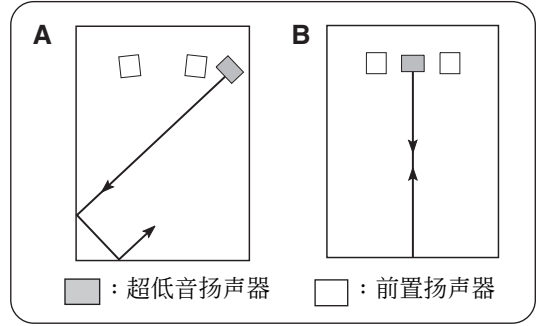


### 注意：

- 严禁将中置扬声器放置在顶端平面小于扬声器底部的电视机上。否则会造成扬声器跌落，造成伤害。
- 严禁将中置扬声器放置在顶端为倾斜平面的电视机上。
- 揭掉封条后，严禁接触紧固件的粘性表面，这样会削弱紧固件的粘贴牢度。
- 彻底擦拭清洁要粘贴紧固件的表面。如果表面不干净，有油污或潮湿，就会削弱粘贴的牢度，从而导致中置扬声器跌落。

## 超低音扬声器（SW-P270）的定位

请摆放在右边或左边前扬声器的外侧（如图 A）。如图 B 所示的摆放方式也是可以的。但是，如果超低音扬声器直接面对墙壁放置，发出的声音及墙壁反射的声音会相互抵消，因而会消除低音音效。为了防止出现这种情况，应按图 A 所示角度放置，使超低音扬声器斜对墙壁放置。



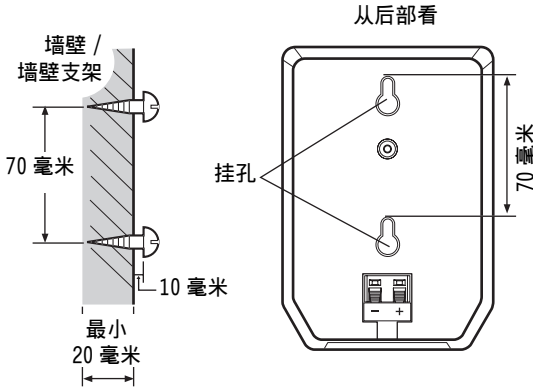
**防滑垫：**将随机提供的防滑垫安装在超低音扬声器的底部的四个角上，防止由于震动或小的冲击造成的超低音扬声器的滑动。

# 安装前置和环绕扬声器

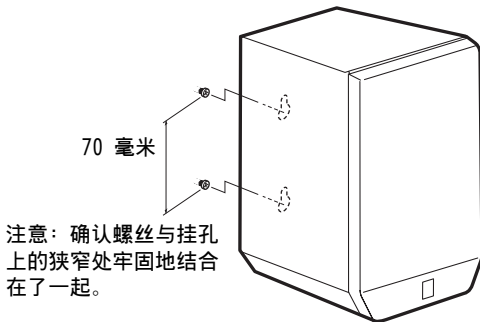
您可以将前置和环绕扬声器（以及 NS-P276 系统中的后环绕扬声器）安装在支架上，放置在地板上或将其安装在墙壁上或扬声器支架上。

## 将扬声器安装在墙壁上：

1. 如下图所示，将螺丝安装在坚硬的墙壁或墙壁支架上。（使用商业直径为 3.5 到 4 毫米的自钻自攻螺钉。）



2. 将扬声器后面板上的孔挂在突出的螺丝上。

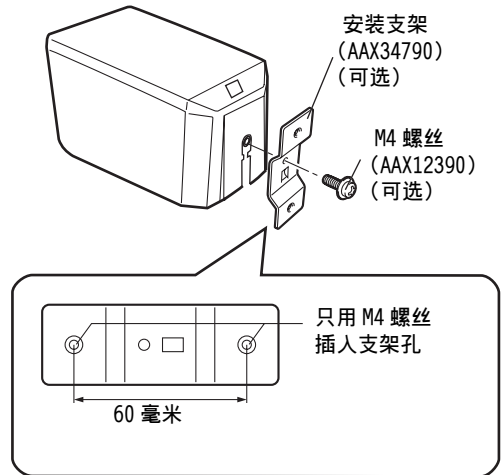


## 注意：

- 每个前置或环绕扬声器重量为 0.8 公斤。严禁将扬声器安装在薄木板或表面材料为软薄材料的墙壁上。否则会造成螺丝的脱落和扬声器的跌落，可能损坏扬声器并造成人员的伤害。
- 严禁使用钉子，粘贴材料或不牢固的硬件安装扬声器。长期使用或震动会造成扬声器跌落。
- 为避免扬声器连线松动发生意外，请将连线固定在墙上。
- 将扬声器安装在不会对人头部造成伤害的墙壁位置上。

## 在市售的扬声器支架上安装扬声器：

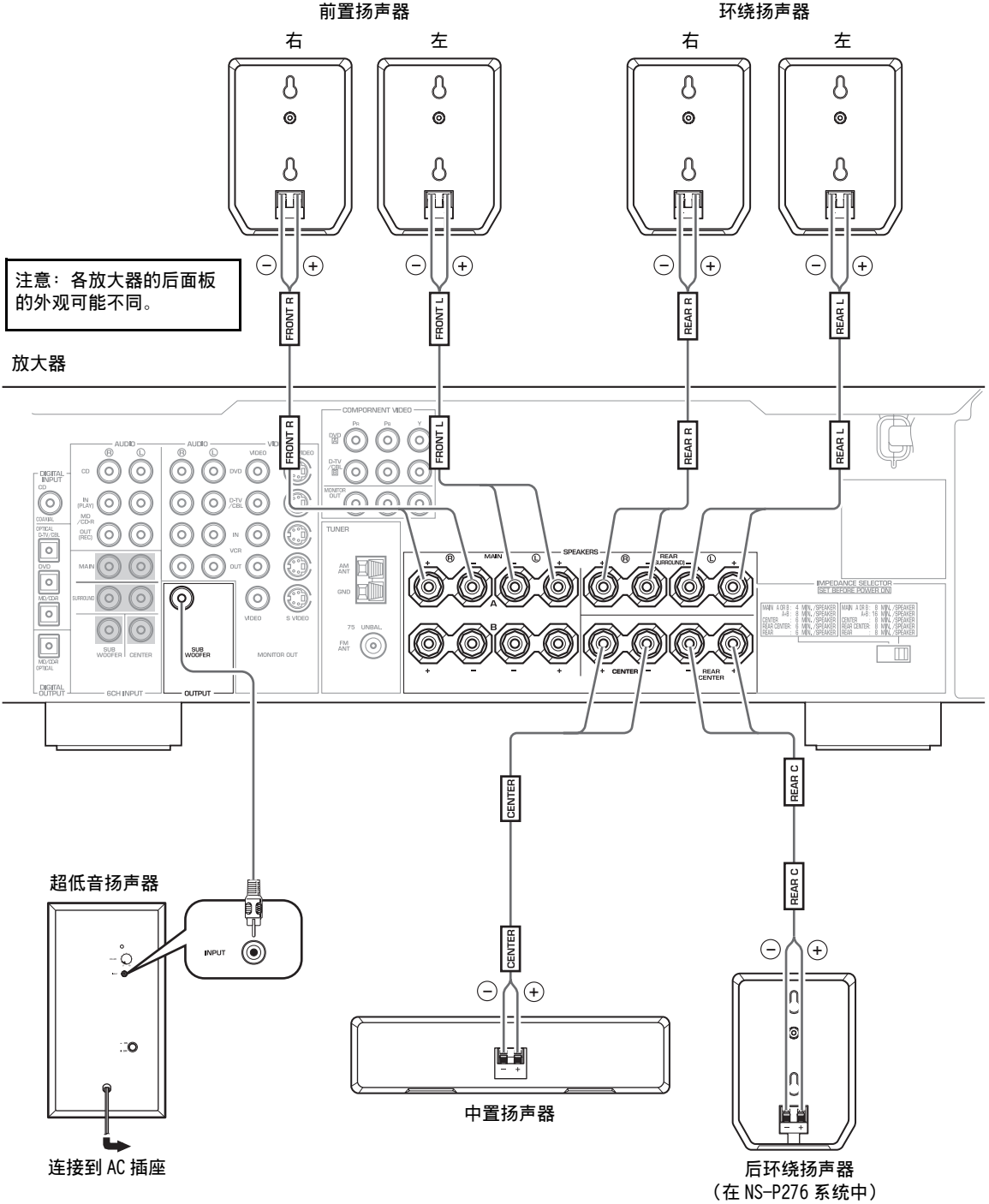
您可以在扬声器支架上安装前方，环绕声和环绕声后扬声器。当您市售的扬声器支架上安装扬声器时，您必须用螺钉将托架固定到扬声器底部。



# 连接

注意：只有在完成其他所有连接后，才能将超低音扬声器和其他音频 / 视频设备的电源线插入 AC 插座中。

## 基本连接示例



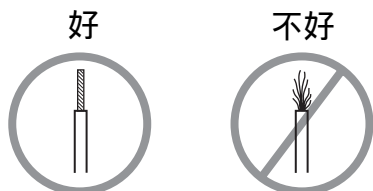


## 扬声器连线的连接

将扬声器的连线保留得尽可能短。严禁缠绕或捆绑剩余的连线。如果连接错误，您将无法从扬声器听到任何声音。

### 连接连线前：

从扬声器连线的各项端处分别去掉一小段（约 10 毫米）绝缘层。



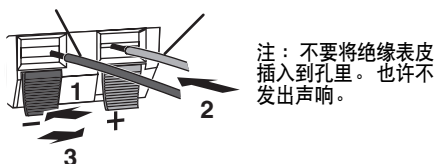
在随机提供的扬声器连线的一端标有白色的虚线，另一端没有线的标志。

使用一侧标有白色虚线的连线将扬声器的 (+) 极与放大器的 (+) 极连接起来。使用不带标志的扬声器连线将两个设备的 (-) 极连接起来。

### 插入连线：

1. 如下图所示，按住终端卡口。
2. 插入剥掉绝缘层的连线。
3. 松开卡口，使其牢牢卡住连线的线芯。
4. 轻轻拉动连线的终端，检测连接是否安全。

黑色：负极 (-)      红色：正极 (+)



**注意：**严禁将去掉绝缘层的扬声器连线互相接触，这样会造成扬声器或放大器受损。

### 连接：

- 使用随机提供的扬声器连线将前置，中置和环绕扬声器（以及 NS-P276 的后环绕扬声器）连接到您的放大器上的扬声器输出终端。
  - 随机提供的扬声器连线标有：FRONT L（左前置），FRONT R（右前置），CENTER（中置），REAR L（左后），REAR R（右后）（以及 NS-P276 的 REAR C（中后））。将各扬声器连线与第 6 页示例图中的对应的扬声器相连接。
  - 连接各个扬声器，确认不要弄错极性 (+, -)。如果扬声器被连接到相反的极性，声音会不自然或缺少低音。
  - 一只适用于前置和环绕扬声器，连接一个扬声器到放大器的左终端（标有 L），然后将另一个扬声器连接到放大器的右终端（标有 R）。
- 将超低音扬声器连接到放大器上的连线出口（针孔接口）终端。
  - 如需要连接 Yamaha DSP 放大器（或 AV 接收器），将 DSP 放大器后部的 SUBWOOFER（或 LOW PASS，等）终端连接到超低音扬声器上的 INPUT 终端。

### VOLTAGE SELECTOR（电压选择器）开关（仅适用于中国、韩国、亚洲及一般机型号）

本机在背面板上没有电压选择开关。如果现在的开关设定错误、将开关设定全本地的合适电压（220V-240V 或 110V-120V）范围内。如有对正确设定不确设定时、请与经销商联系。

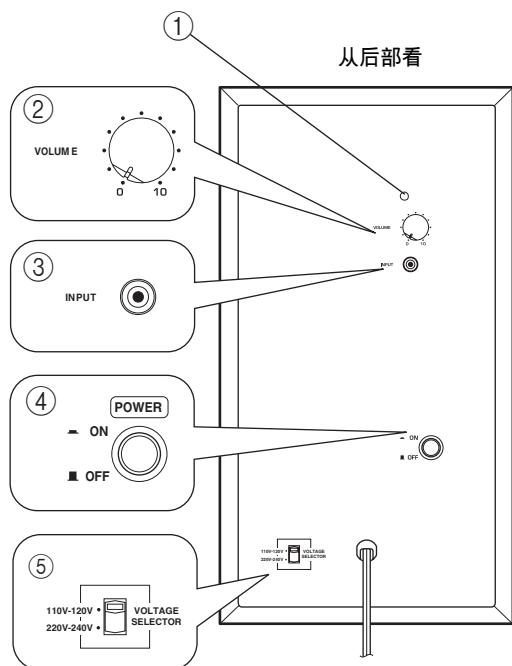
#### 警告

在设置 VOLTAGE SELECTOR 之前不要将超低音扬声器连接到 AC 插座。

## 将视听设备和超低音扬声器连接到 AC 电源

完成所有扬声器和超低音扬声器的连接后，将放大器，其他音频 / 视频设备，和超低音扬声器插入相对应电压的 AC 插座。在按照第 8 页的说明调整扬声器平衡之前，请确认超低音扬声器的 VOLUME 音量控制设置为 0。

# 使用超低音扬声器 (SW-P270)



## ① 电源指示器

POWER (电源) 开关 4 打开时, 绿灯亮起; POWER (电源) 开关关闭时, 灯熄灭。

## ② VOLUME 音量控制

调整音量高低。顺时针转动音量控制旋钮, 加大音量; 逆时针转动音量控制旋钮, 降低音量。

## ③ INPUT 输入终端

来自放大器的电平位准信号的输入终端。

## ④ POWER 电源开关

将开关转至 ON, 接通超低音扬声器的电源。重低音扬声器电源接通时, 在后面板的电源指示器 1 灯亮起为绿色。再次按下此开关时, 切换为 OFF, 超低音扬声器的电源关闭。

## ⑤ VOLTAGE SELECTOR (电压选择器) 开关

(仅适用于中国、韩国、亚州及一般机型号)

如果现在的开关设定错误, 将开关设定全本地的合适电压 (220V-240V 或 110V-120V) 范围内。如您对正确设定不确设定时, 请与经销商联系。

**警告:**

在正确设定 VOLTAGE SELECTOR (电压选择器) 开关前, 切勿连接超低音扬声器。

## 预调节超低音扬声器音量

在使用超低音扬声器前, 首先按照以下步骤调节超低音扬声器和前置扬声器之间的音量平衡。

1. 将 VOLUME 音量控制设置为最小 (0)。
2. 打开其他所有视听设备的电源。
3. 将 POWER 转至 ON, 后面板的电源指示器灯亮为绿色。
4. 播放包含低频声效的源材料。调整放大器的音量控制直到最理想的聆听水平。
5. 慢慢旋转 VOLUME 旋钮, 在超低音扬声器和其他扬声器之间调节音量平衡。大多数情况下, 没有使用超低音扬声器时, 将音量控制设置为聆听时低音稍强的等级。
6. 使用放大器的音量控制器调整整个声音系统的音量。
  - 如果您更换与其他扬声器配套的前置扬声器 (NX-E270), 您必须重新设置超低音扬声器和环绕扬声器的音量平衡。
  - 有关调整 VOLUME 音量控制的更多信息, 请参见 11 页上的「频率特点」。

# Advanced YAMAHA Active Servo Technology (在 SW-P270 系统中)

高级的 Yamaha 主动伺服技术的原理基于两个方面：亥姆霍兹共鸣器和负阻抗驱动。主动伺服扬声器通过位于扬声器箱体端口或开口的「air woofer」再现低音频率。

使用此开口，取代了传统设计的扬声器的低音，执行传统低音扬声器的功能。

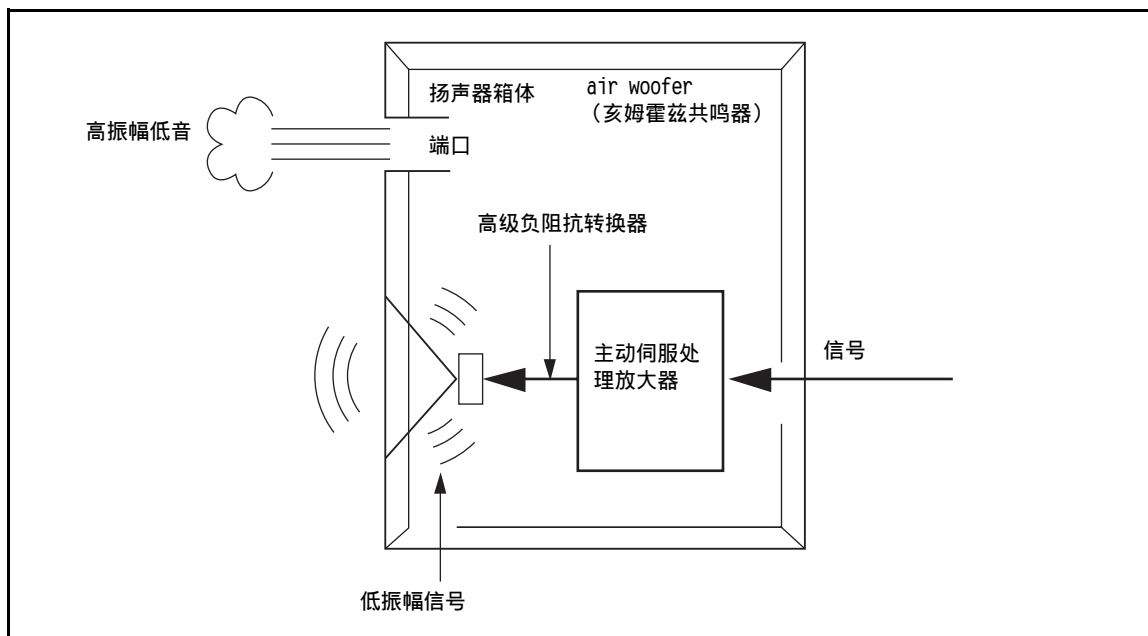
因此，在箱体内部的低振幅信号，根据亥姆霍兹共鸣理论，开口的尺寸和箱体的音量满足相应的比例，可以确保可靠的音频效果时，就可以通过此开口作为高振幅信号输出。为达到此目的，在箱体内部的振幅还必须精确，功率充足，因为振幅必须克服箱体内部空气形成的「负载」。

此问题通过增添放大器输出特殊信号的设计来解决。如果音圈的电阻降为 0，扬声器的动作将根据信号电压变为线性。为达到此效果，系统使用特殊的减少放大器输出阻抗的负阻抗输出驱动放大器。

通过使用负阻抗驱动线路，放大器可以产生精确的低振幅低频率，带有超级阻尼特点的声波。

这些声波从箱体开口作为高振幅信号发射出去。因此，系统可以通过使用负阻抗输出驱动放大器和一个带有亥姆霍兹共鸣器的扬声器箱体，重现一个音质出色，低失真度的超级宽幅频率。以上介绍的特点结合在一起就构成了 Yamaha 传统主动伺服技术的基本架构。

我们的新主动伺服技术 - 高级的 Yamaha 主动伺服技术 - 采用先进的负阻抗转换器 (ANIC) 线路，它可以使传统的负阻抗转换器动态转换选择最适宜扬声器阻抗的值。使用新的 ANIC 线路，与传统的 A-YST 主动伺服技术相比，高级的 Yamaha 主动伺服技术可以提供更稳定的性能，以及经过改善的声压，从而再现更自然，更富动感的低音效果。



## 故障排除

如果设备工作不正常，请参考下表中的信息。如果您遇到的问题不在下表范围内，或指示说明不能帮您解决问题，请断开设备的电源，并与 Yamaha 授权经销商或服务中心联系。

问题	原因	解决办法
没有声音。	扬声器连线未连接好。	将扬声器连线紧密连接。
音量太低。	扬声器连线连接不正确。	正确连接扬声器连线： L（左）对 L，R（右）对 R，「+」对「+」，「-」对「-」。

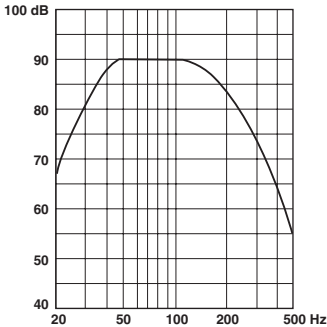
### 仅限于超低音扬声器（SW-P270）

问题	原因	解决办法
即使 POWER 电源开关设置为 ON，也没有电源供应。	电源插头没有插好。	先关闭开关为 OFF，然后插紧插头。
没有声音。	VOLUME 音量控制设置为 0。	向右旋转 VOLUME 控制钮（顺时针）。
	超低音扬声器连线连接不紧。	将超低音扬声器连线紧密连接
音量太低。	您在播放包含不完全低音频率的声源材料。	播放包含更多低音频率的声源材料。
	音量被驻波削弱。	重新放置超低音扬声器，或靠墙边放置书架或大的物品破坏平行的墙面。

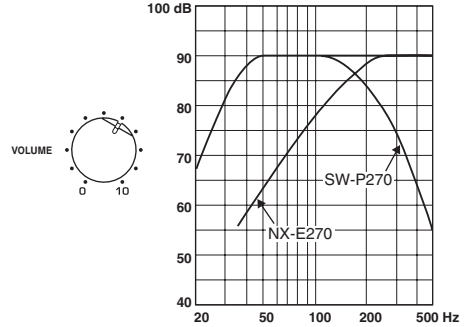
# 规格

## 频率特点

下面的图表显示了 SW-P270 重低音扬声器的频率特点。



下面的图表显示了 SW-P270 重低音扬声器与 NX-E270 组合使用时的频率特点。



### NX-E270/NX-C270

类型 ..... 全声场气垫式扬声器系统  
磁性屏蔽类型

#### 驱动器

<NX-E270> ..... 8 厘米 woofer +  
1.9 厘米 balanced-dome tweeter  
<NX-C270> ..... 5 厘米全声场圆锥形扬声器 × 2

额定输入功率 ..... 30 W

#### 最大输入功率

<NX-E270> ..... 80 W  
<NX-C270> ..... 100 W

阻抗 ..... 6 Ω

#### 频率响应

<NX-E270> ..... 100 Hz-25 Hz (-10 dB)  
<NX-C270> ..... 130 Hz-20 Hz (-10 dB)

#### 灵敏度

<NX-E270> ..... 85 dB/2.83Vm  
<NX-C270> ..... 85 dB/2.83Vm

#### 尺寸 (宽×高×长)

<NX-E270> ..... 105mm × 151mm × 113mm  
<NX-C270> ..... 300mm × 72mm × 113mm

#### 重量

<NX-E270> ..... 0.8 公斤  
<NX-C270> ..... 0.9 公斤

### SW-P270

类型 ..... 高级的 Yamaha 主动伺服技术  
磁性屏蔽类型

驱动器 ..... 16 厘米圆锥形扬声器

输出功率 ..... 50 W (100 Hz, 5 Ω AT THD=10%)

动态功率 ..... 100 W, 5 Ω

输入阻抗... INPUT (1P RCA 针式接口): 12 k Ω

频率响应 ..... 30 Hz-200 Hz

输入灵敏度 ..... INPUT (1P RCA 针式接口):  
100 mV (100 Hz, 5 Ω at 50 W)

#### 供给电源

美国和加拿大产品类型 ..... AC 120 V, 60 Hz  
澳大利亚产品类型 ..... AC 240 V, 50 Hz  
英国和欧洲产品类型 ..... AC 230 V, 50 Hz  
(中国, 韩国, 亚洲和通用型号)  
..... AC 110-120/220-240V, 50/60 Hz

#### 尺寸 (宽×高×长)

..... 200 mm × 365 mm × 370 mm

重量 ..... 8.5 公斤

规格更改恕不提前通知。







©2006 YAMAHA CORPORATION All rights reserved.

YAMAHA ELECTRONICS CORPORATION, USA 6660 ORANGETHORPE AVE., BUENA PARK, CALIF. 90620, U.S.A.  
YAMAHA CANADA MUSIC LTD. 135 MILNER AVE., SCARBOROUGH, ONTARIO M1S 3R1, CANADA  
YAMAHA ELECTRONIK EUROPA G.m.b.H. SIEMENSSTR. 22-34, 25462 RELLINGEN BEI HAMBURG, GERMANY  
YAMAHA ELECTRONIQUE FRANCE S.A. RUE AMBROISE CROIZAT BP70 CROISSY-BEAUBOURG 77312 MARNE-LA-VALLEE CEDEX02, FRANCE  
YAMAHA ELECTRONICS (UK) LTD. YAMAHA HOUSE, 200 RICKMANSWORTH ROAD WATFORD, HERTS WD18 7GQ, ENGLAND  
YAMAHA SCANDINAVIA A.B. J A WETTERGRENS GATA 1, BOX 30053, 400 43 VÄSTRA FRÖLUNDA, SWEDEN  
YAMAHA MUSIC AUSTRALIA PTY, LTD. 17-33 MARKET ST., SOUTH MELBOURNE, 3205 VIC., AUSTRALIA

YAMAHA CORPORATION  
Printed in China ◀ WG84240