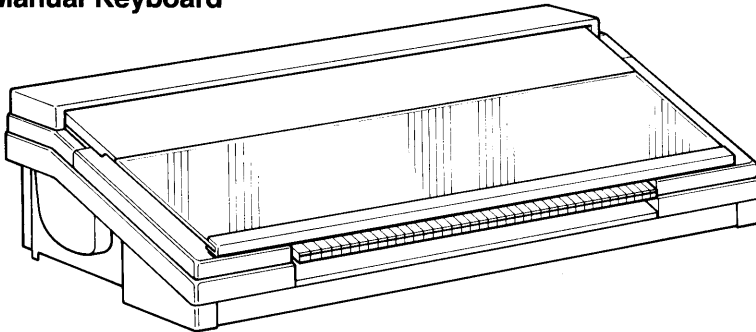


# ASSEMBLY INSTRUCTIONS FOR THE EL-60/40

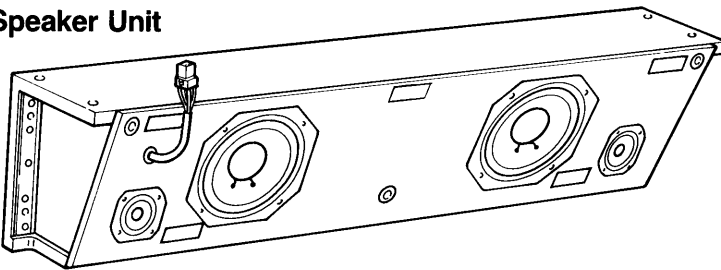
Carefully read these instructions BEFORE assembling the Electone. Because of the weight of the keyboard, assembly should be done with at least two people.

## Included Items:

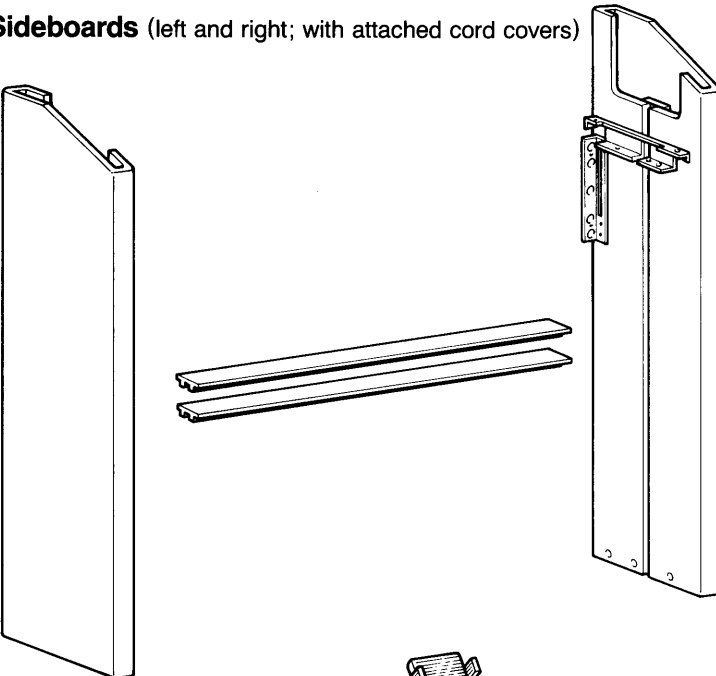
### Manual Keyboard



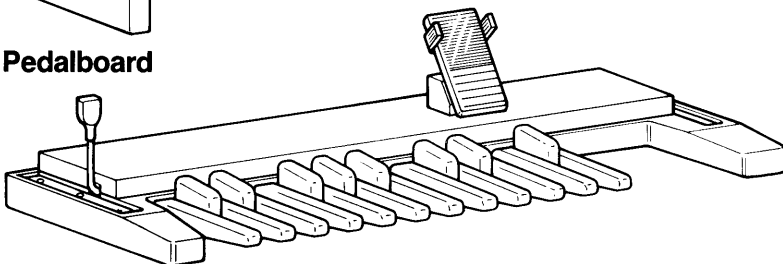
### Speaker Unit



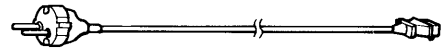
### Sideboards (left and right; with attached cord covers)



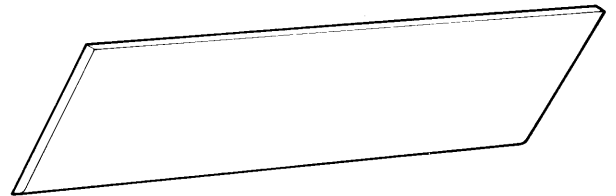
### Pedalboard



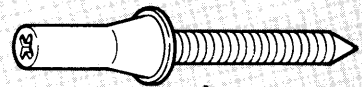
### Power Cord



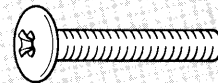
### Grill Net



### Screws



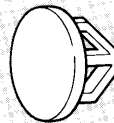
Long (6 pcs.; yellow)



Medium (4 pcs.; yellow)



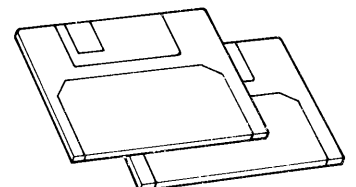
Short (8 pcs.; black)



Screw Caps (4 pcs.)

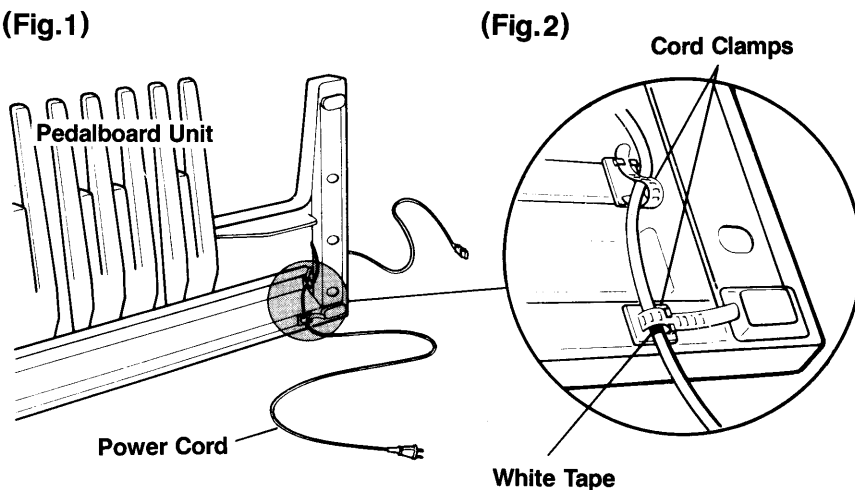
### Floppy Disks (EL-60 only)

1 blank disk and 1 Registration Menu disk

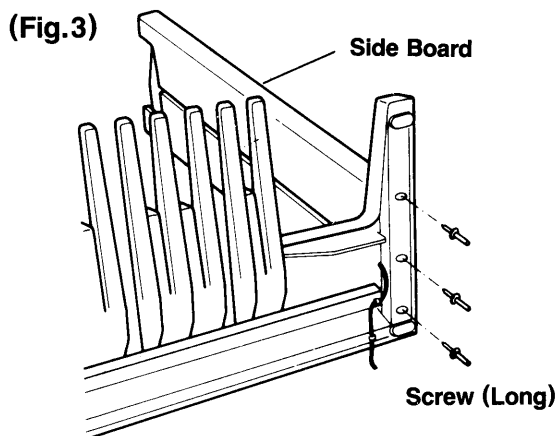


**1****Pass the Power Cord through the Pedalboard Unit and secure it by the clamp**

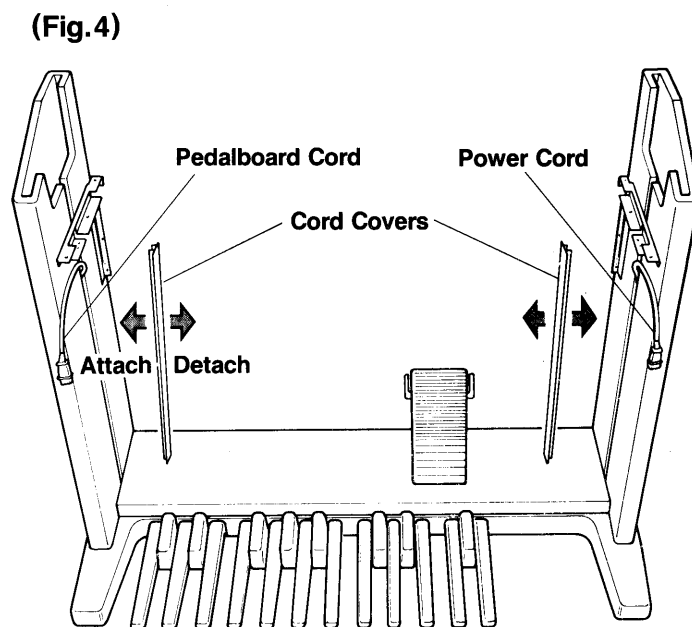
- First of all, stand the Pedalboard Unit up as shown in Fig.1.
- Pass the Power Cord (the end with the plug for the AC inlet) through the hole at the lower right of the Pedalboard Unit. (Fig.1)
- As shown in Fig.2, secure the Power Cord by fitting the front Cord Clamp against the Cord section covered with white tape.
- Also secure the Power Cord using the other Cord Clamp.

**2****Fix the Side Boards to the Pedalboard Unit.**

- Fit the Side Boards against the Pedalboard Unit as shown in Fig.3.
- Secure the Side Boards by tightening the six screws (long). (After first turning the screws slightly by hand, fix the screws by securely tightening them with a Philips screwdriver.)
- Be careful not to drop any screws into the Pedalboard Unit.
- \* **Transporting your assembled Electone by truck or other means may cause the screws to become loose. After transport, always check that all screws are properly tightened, including the screws shown in Figs. 6, 9 and 10.**

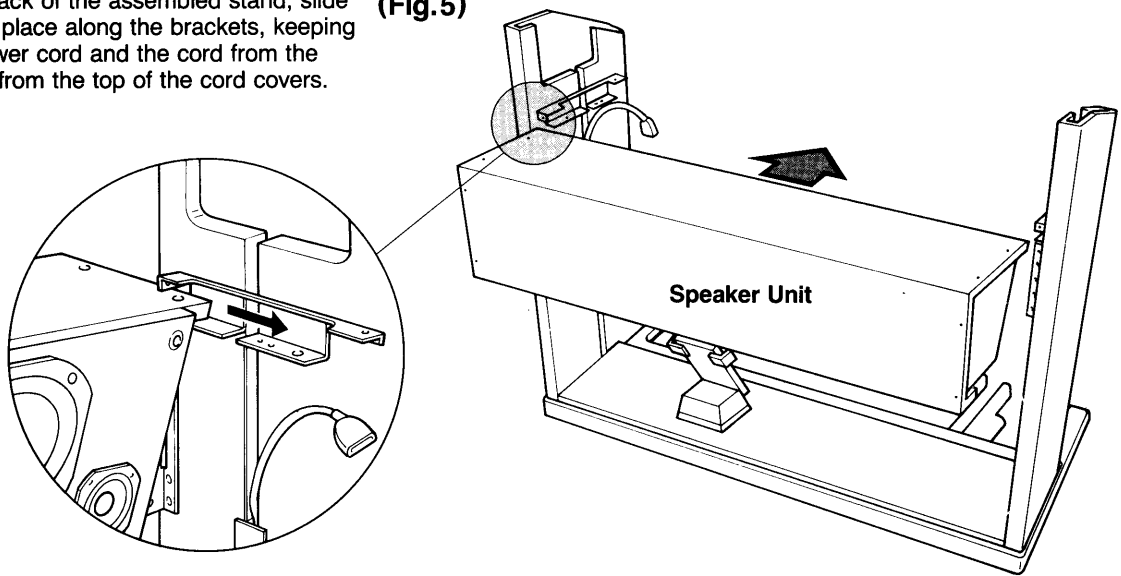
**3****Insert the two Cords into their grooves, then attach their Cord Covers.**

- Detach the Cord Covers attached to the Side Boards.
- As shown in Fig.4, insert the two Cords (the Power Cord and the Pedalboard cord) into the grooves of the Side Boards. (Insert the rail of the Cord Covers into the rail of the grooves.)
- Slide each Cord Cover as far down as possible along its groove.



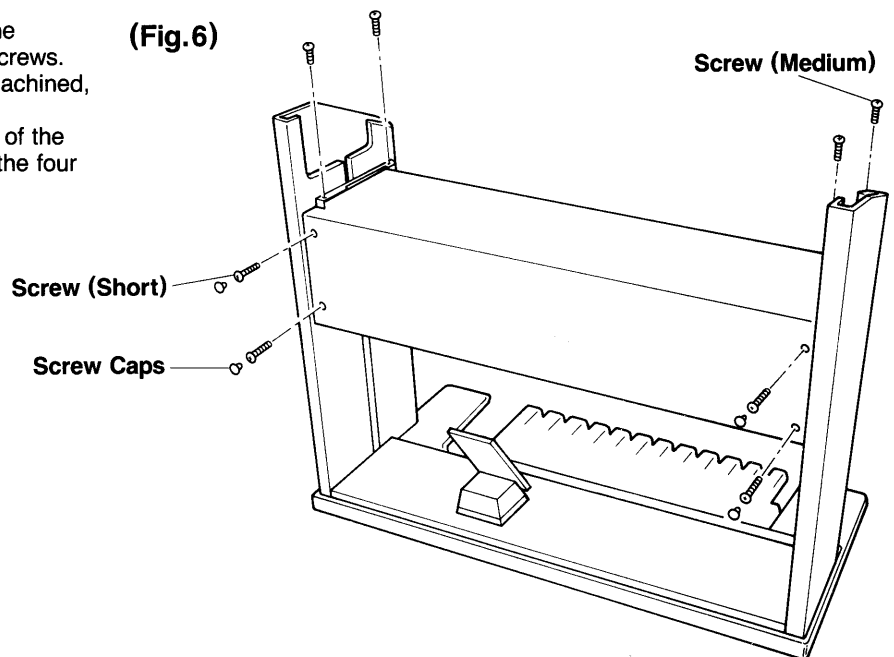
**4**

Starting from the back of the assembled stand, slide the speaker unit in place along the brackets, keeping both cords (the power cord and the cord from the Pedalboard) down from the top of the cord covers. (Fig.5)

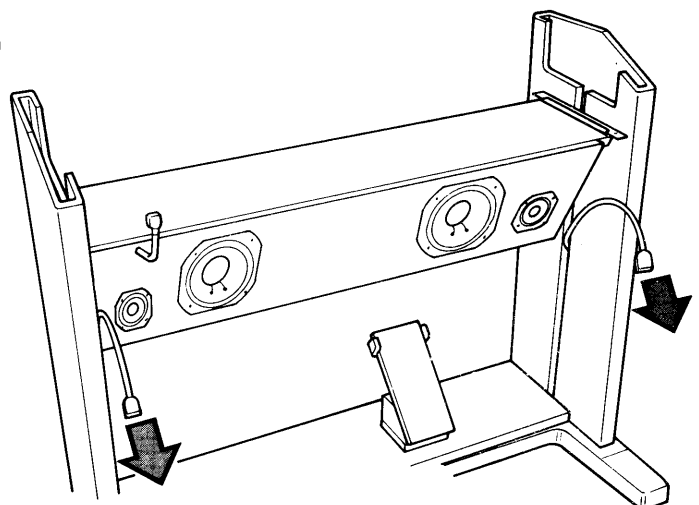
**5**

- Mount the speaker unit onto the top of the sideboards with the four medium-sized screws. (Since the screws have been specially machined, they may fit quite tightly.)
- Fasten the four short screws to the back of the speaker unit and cover each screw with the four screw caps.

(Fig.6)

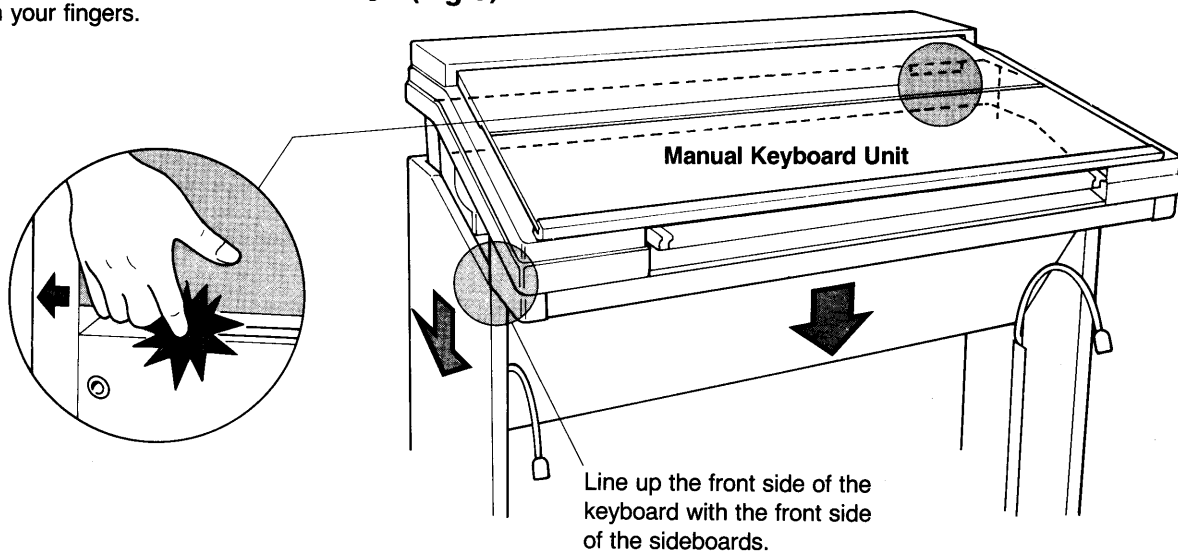
**6**

Drape the three cords (the power cord, the cord from the Pedalboard, and the cord from the speaker) in front of the speaker unit. (Fig.7)



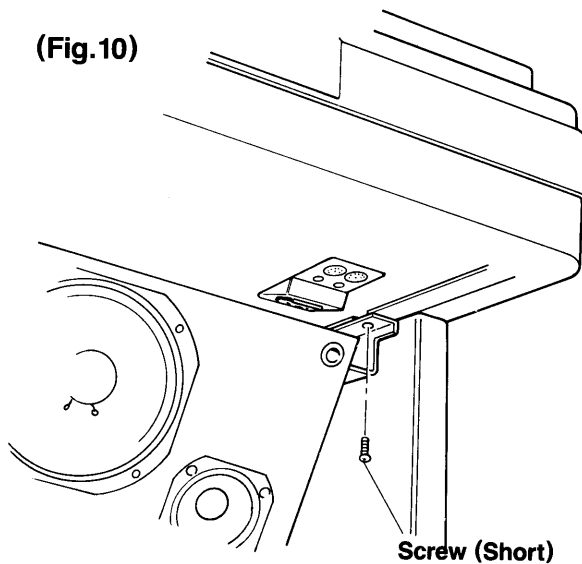
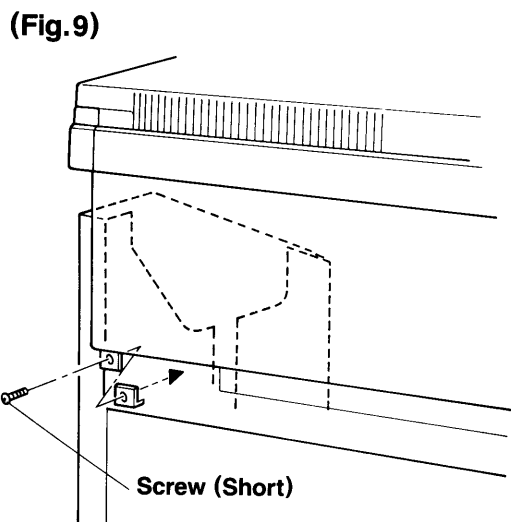
7

Carefully fit the keyboard onto the sideboards, taking care not to pinch your fingers. (Fig.8)



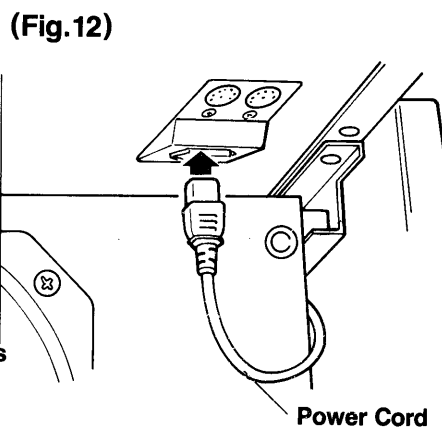
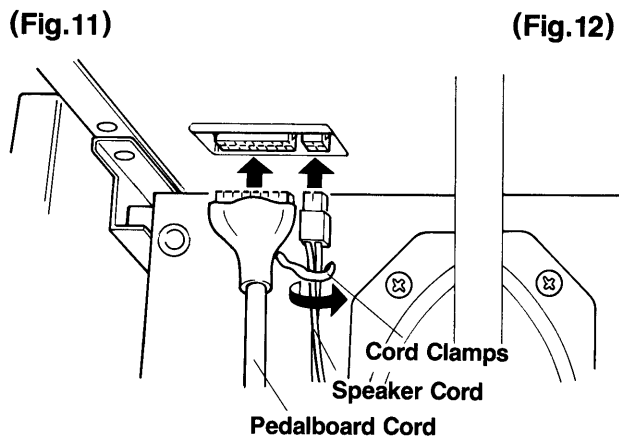
8

Secure the keyboard by fastening the four remaining short screws.



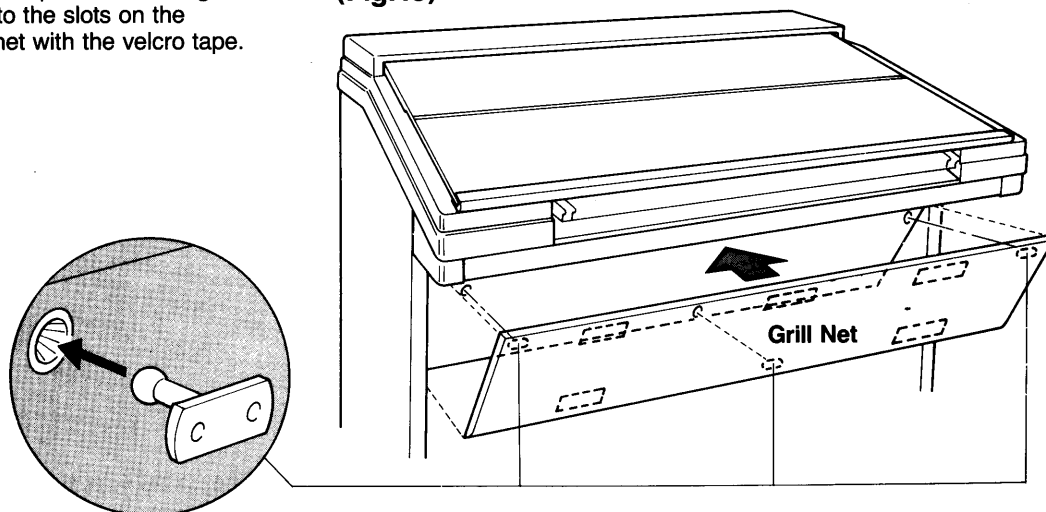
9

Connect the cords as shown in the illustration.



Finally, attach the grill net to the speaker unit. Align the three tabs on the grill net to the slots on the speaker unit, and secure the net with the velcro tape.

(Fig.13)

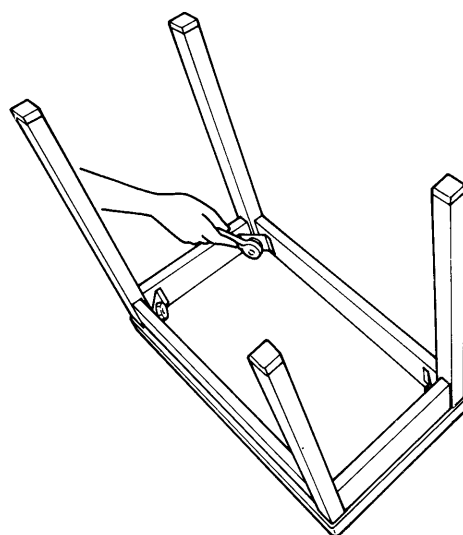


### Assembling the Bench

Turn the bench upside down and place it on the floor. Attach the legs to the bottom of the bench, insert the spring washers and tighten the bolts with a wrench.

Note: When the bench has been used for an extended period, these bolts may become loose. As a safety precaution, tighten the bolts when necessary.

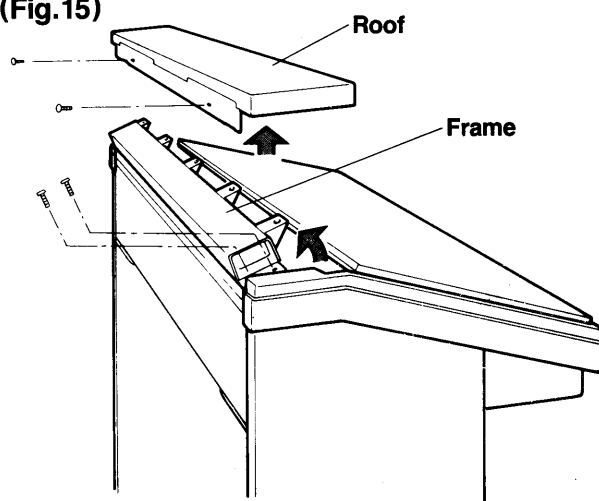
(Fig.14)



\* If anything falls into the gap between the Cover and the Manual Keyboard Unit, remove the two screws that secure the Roof of the Manual Keyboard Unit, lift off the Roof, then remove the fallen object.

If a pencil or other small object falls into this gap, lift off the Roof, use a screwdriver to remove the four screws of the Frame beneath, then open up the Frame and remove the fallen object. (See Fig.15)

(Fig.15)



**YAMAHA**  
YAMAHA CORPORATION