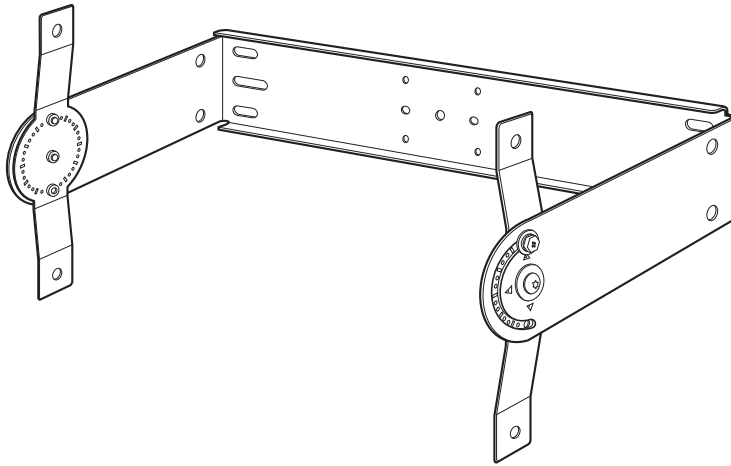
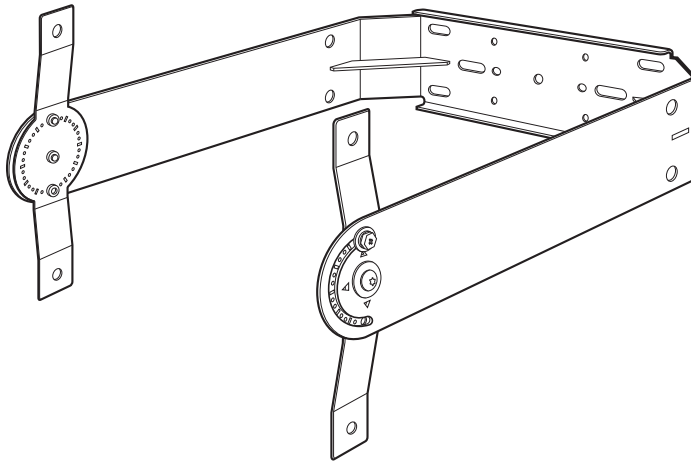


# U-BRACKET

**UB-DZR15H UB-DZR12H UB-DZR10H**



**UB-DZR15V UB-DZR12V UB-DZR10V**



<b>EN</b>	<b>Owner's Manual</b>
<b>DE</b>	<b>Bedienungsanleitung</b>
<b>FR</b>	<b>Mode d'emploi</b>
<b>ES</b>	<b>Manual de instrucciones</b>
<b>PT</b>	<b>Manual do Proprietário</b>
<b>IT</b>	<b>Manuale di istruzioni</b>
<b>RU</b>	<b>Руководство пользователя</b>
<b>ZH</b>	<b>使用说明书</b>
<b>JA</b>	<b>取扱説明書</b>

**SPEAKER BRACKET**

English

Deutsch

Français

Español

Português

Italiano

Русский

中文

日本語

# Introduction

Thank you for purchasing the Yamaha UB-DZR15H, UB-DZR12H, UB-DZR10H, UB-DZR15V, UB-DZR12V, or UB-DZR10V U-BRACKET. This product is a bracket designed for use in installation of the Yamaha CZR and DZR series speakers. This manual explains how to attach the bracket to a speaker when installation personnel use this bracket to install the speaker to a wall or ceiling. Please read this manual thoroughly before you begin using this product in order to use it properly. After reading this manual, please keep it available for future reference.

- The example illustrations used in this manual are taken from the UB-DZR12H and UB-DZR12V, if not otherwise specified. Example illustrations of the corresponding speaker are taken from the CZR12.
- The contents of this manual apply to the latest specifications as of the publishing date. To obtain the latest manual, access the Yamaha website then download the manual file.

## Contents

Introduction .....	2	Horizontal Bracket (UB-DZR15H, UB-DZR12H, and UB-DZR10H) Installation.....	4
PRECAUTIONS .....	2	Vertical Bracket (UB-DZR15V, UB-DZR12V, and UB-DZR10V) Installation .....	5
Package Contents .....	3	Installation Examples (English only) .....	38
Compatible Speaker Models.....	3	Optional Brackets (sold separately) (English only) .....	39
Check Before Installation .....	3	Dimensions (English only) .....	40

## PRECAUTIONS

### PLEASE READ CAREFULLY BEFORE PROCEEDING

Please keep this manual in a safe place for future reference.

#### **WARNING**

Always follow the basic precautions listed below to avoid the possibility of serious injury or even death from electrical shock, short-circuiting, damages, fire or other hazards. These precautions include, but are not limited to, the following:

##### **Do not open**

- This product contains no user-serviceable parts. Do not attempt to disassemble the internal parts or modify them in any way.

##### **Setting**

- Do not attach this product to any speaker not specified as compatible. Doing so may result in damage or injury.

#### **CAUTION**

Always follow the basic precautions listed below to avoid the possibility of physical injury to you or others, or damage to the product or other property. These precautions include, but are not limited to, the following:

##### **Setting**

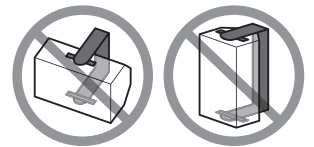
- Always consult qualified Yamaha service personnel if the product installation requires construction work, and make sure to observe the following precautions.
  - Choose mounting hardware and an installation location that can support the weight of the product.
  - Avoid locations that are exposed to constant vibration.
  - Use the required tools to install the product.
  - Inspect the product periodically.

#### **NOTICE**

To avoid the possibility of malfunction/damage to the product, or damage to other property, follow the notices below.

##### **■ Handling**

- Do not use a vertical bracket if installing a speaker horizontally. Do not use a horizontal bracket if installing a speaker vertically. The speaker weight may cause bracket deformation if the improper bracket is used.



#### **Information**





##### **■ About this manual**

- The illustrations as shown in this manual are for instructional purposes only.
- The company names and product names in this manual are the trademarks or registered trademarks of their respective companies.

##### **■ About disposal**

- This product contains recyclable components. When disposing of this product, please contact the appropriate local authorities.

## Package Contents

Accessories		Qty.	Comments
M8×30 hexagon bolts with flat washer and spring washer		6	<ul style="list-style-type: none"> <li>• For cabinet installation ×4</li> <li>• For separately sold brackets* ×2</li> </ul>
Knob screws with flat washer and spring washer		2	Can be used in place of the angle-fixing bolts during temporary installation.
M8 flat washers		2	For separately sold brackets*
M8 hexagon nuts		2	For separately sold brackets*
Owner's Manual	(this book)	1	—

\* Used together with the optional brackets (sold separately; for more information, see page 39).

## Compatible Speaker Models

Model	Use	Compatible speakers
UB-DZR15H	Horizontal installation	CZR15, DZR15, DZR15-D
UB-DZR12H		CZR12, DZR12, DZR12-D
UB-DZR10H		CZR10, DZR10, DZR10-D
UB-DZR15V	Vertical installation	CZR15, DZR15, DZR15-D
UB-DZR12V		CZR12, DZR12, DZR12-D
UB-DZR10V		CZR10, DZR10, DZR10-D



### WARNING

Do not attach this product to any speaker not specified as compatible. Doing so may result in damage or injury.

## Check Before Installation

- Fittings, bolts, and other items for installing the bracket to a wall or ceiling are not included. If you are not sure what fittings to use, consult a specialist.
- First attach this bracket to the speaker before installing it to a wall or ceiling. We recommend that you securely install the bracket to a wall or ceiling using the proper fittings and bolts after attaching bracket to the speaker.



### CAUTION

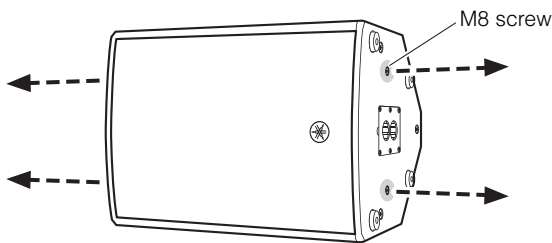
- Make sure that the installation surface is strong enough to support the total weight of the speaker and the U-bracket. If you are not sure about the installation surface, consult a specialist. Avoid attaching the U-bracket to drywall such as acoustic tiles.
- Make sure that you do not pinch your fingers between the U-bracket and speaker.
- Make sure to take precautionary measures using wires to prevent the speaker from falling down in the event of an installation failure.

Yamaha cannot be held responsible for damage or injury caused by insufficient strength of the support structure or improper installation.

# Horizontal Bracket (UB-DZR15H, UB-DZR12H, and UB-DZR10H) Installation

## 1. Remove the M8 screws (four total) from both the top and bottom faces of the speaker.

Use a 5 mm hexagon wrench.

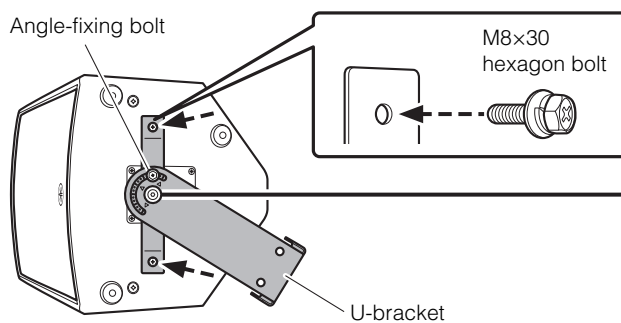


### NOTE

Carefully store the screws removed from the speaker so that they are not lost. Using the speaker with the screws removed will negatively affect sound quality due to air leakage because the screw holes penetrate the inside of the speaker cabinet. Re-install the screws to the original screw holes after removing the U-bracket.

## 2. Use the accessory M8x30 hexagon bolts (four total) to secure both sides of the U-bracket to the speaker.

Use a 13 mm wrench. The recommended torque is 6.2 Nm.



### WARNING

Never loosen the center screw. Doing so may result in the speaker falling and possible injury. If it becomes loose, retighten it to a torque of 12.4 Nm or more.

## 3. Use a wrench to temporarily tighten the angle-fixing bolts on both sides, and install to the wall or ceiling.

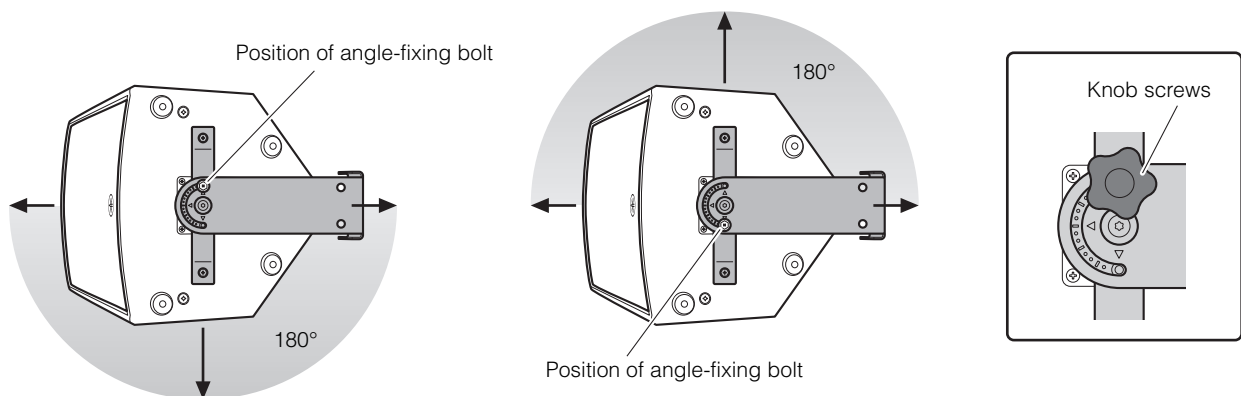


### CAUTION

Failure to temporarily tighten the bolts may result in the speaker or U-bracket rotating during installation and possible injury.

## 4. Hold the speaker with your hand to prevent it from rotating, then loosen the angle-fixing bolts. Adjust the speaker angle, then use a wrench to tighten the angle-fixing bolts until the speaker is thoroughly secured in position.

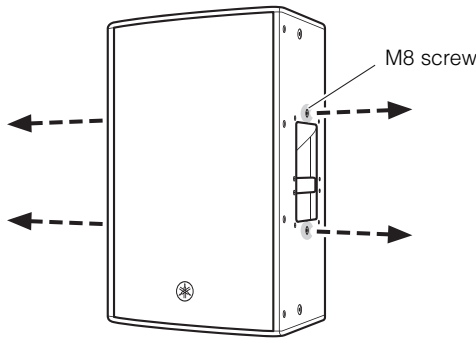
- You can adjust the direction of an installed speaker in a range of 180°. You can also install the angle-fixing bolts to the other screw holes in order to adjust 180° in the opposite direction.
- You can also use the accessory knob screws in place of the angle-fixing bolts when installing temporarily and tighten these by hand. However, when installing permanently, use the angle-fixing bolts and make sure they are securely tightened. The recommended torque is 12.4 Nm.



# Vertical Bracket (UB-DZR15V, UB-DZR12V, and UB-DZR10V) Installation

## 1. Remove the M8 screws (four total) from both sides of the speaker.

Use a 5 mm hexagon wrench.

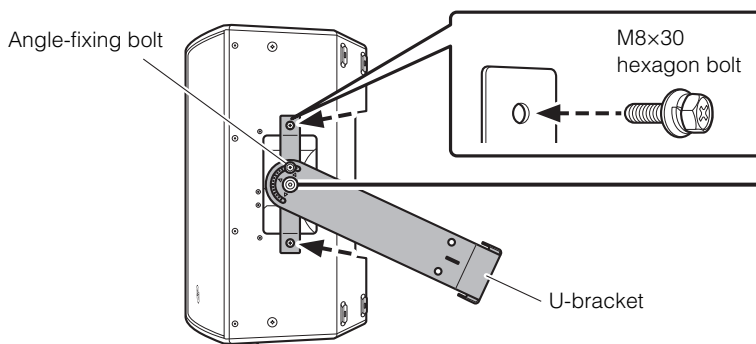


### NOTE

Carefully store the screws removed from the speaker so that they are not lost. Using the speaker with the screws removed will negatively affect sound quality due to air leakage because the screw holes penetrate the inside of the speaker cabinet. Re-install the screws to the original screw holes after removing the U-bracket.

## 2. Use the accessory M8x30 hexagon bolts (four total) to secure both sides of the U-bracket to the speaker.

Use a 13 mm wrench. The recommended torque is 6.2 Nm.



### WARNING

Never loosen the center screw. Doing so may result in the speaker falling and possible injury. If it becomes loose, retighten it to a torque of 12.4 Nm or more.

## 3. Use a wrench to temporarily tighten the angle-fixing bolts on both sides, and install to the wall or ceiling.

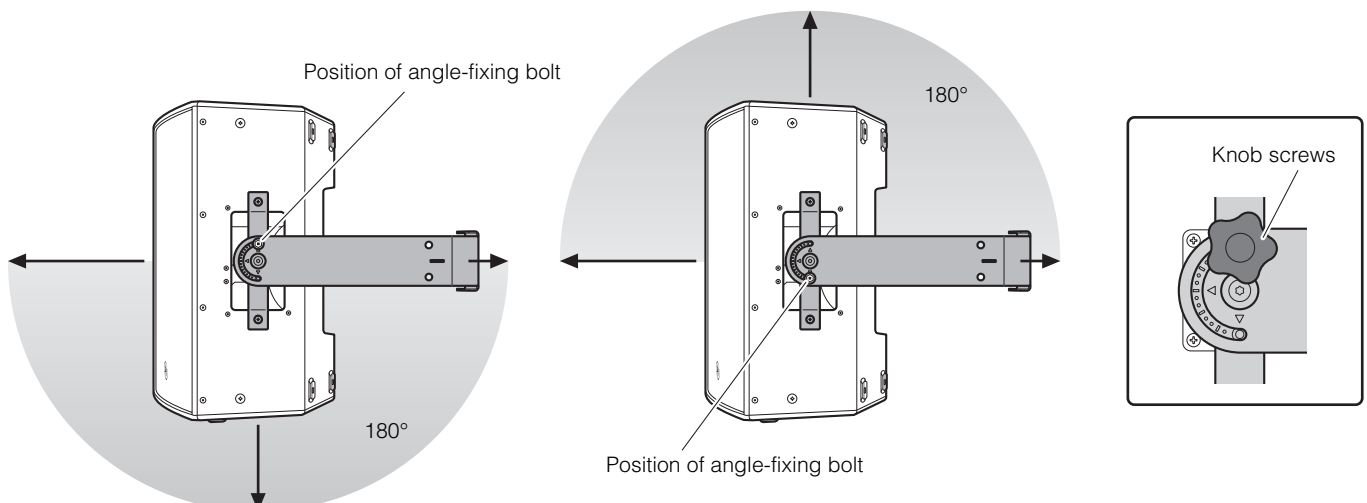


### CAUTION

Failure to temporarily tighten the bolts may result in the speaker or U-bracket rotating during installation and possible injury.

## 4. Hold the speaker with your hand to prevent it from rotating, then loosen the angle-fixing bolts. Adjust the speaker angle, then use a wrench to tighten the angle-fixing bolts until the speaker is thoroughly secured in position.

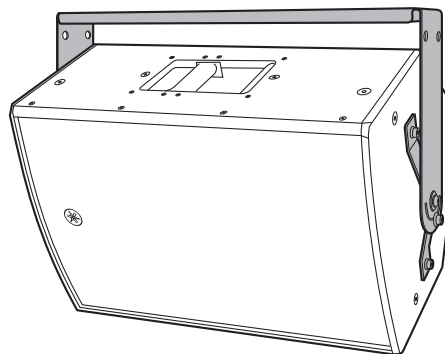
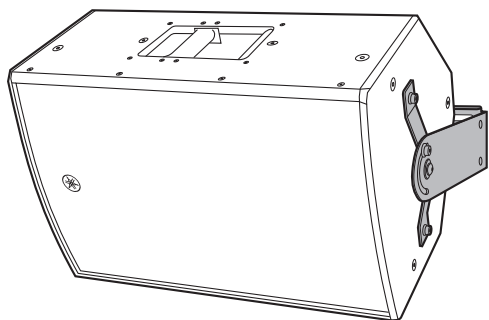
- You can adjust the direction of an installed speaker in a range of 180°. You can also install the angle-fixing bolts to the other screw holes in order to adjust 180° in the opposite direction.
- You can also use the accessory knob screws in place of the angle-fixing bolts when installing temporarily and tighten these by hand. However, when installing permanently, use the angle-fixing bolts and make sure they are securely tightened. The recommended torque is 12.4 Nm.



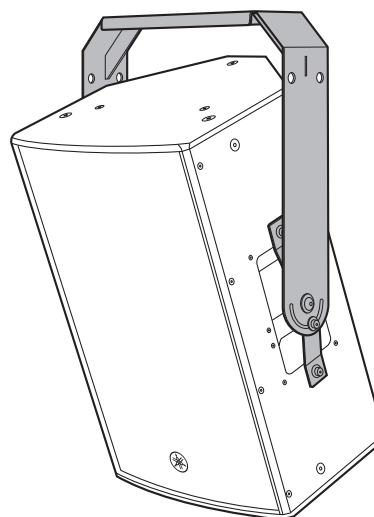
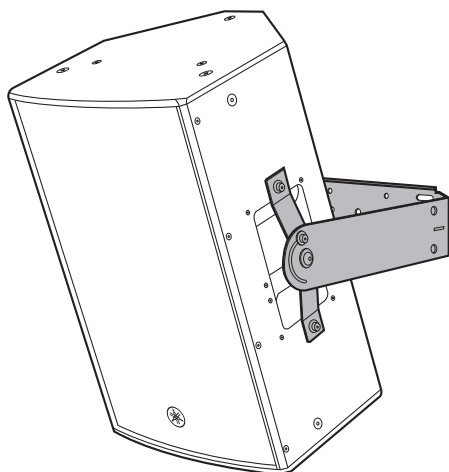
## Installation Examples

---

### ■ UB-DZR15H, UB-DZR12H, UB-DZR10H



### ■ UB-DZR15V, UB-DZR12V, UB-DZR10V



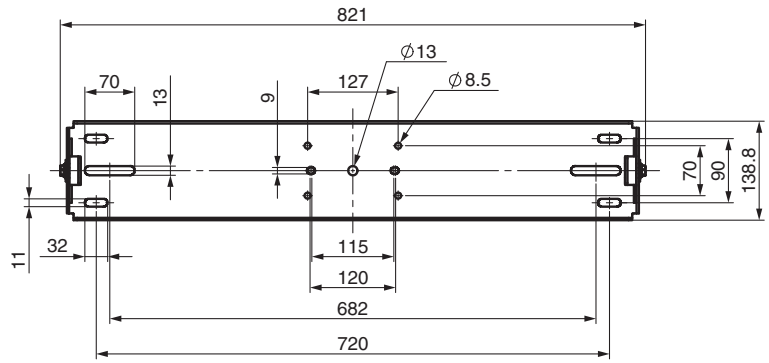
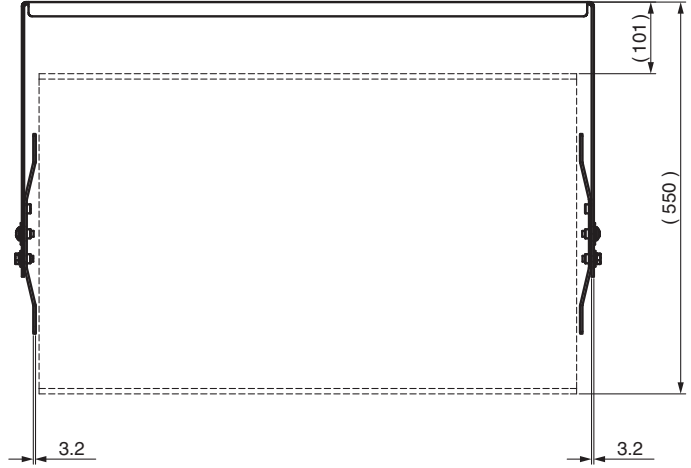
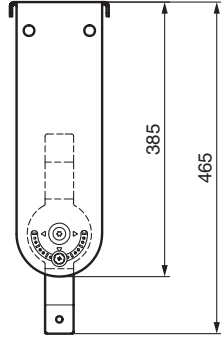
## Optional Brackets (sold separately)

---

- You can use the U-bracket in combination with optional brackets sold separately. For more information, visit the following Yamaha Pro Audio website.  
<https://www.yamahaproaudio.com/>
- Der U-Montagebügel kann in Kombination mit optionalen, separat erhältlichen Halterung eingesetzt werden. Weitere Informationen finden Sie auf der folgenden Website von Yamaha Pro Audio.  
<https://www.yamahaproaudio.com/>
- Vous pouvez utiliser la lyre en combinaison avec des supports en option vendus séparément. Pour plus de renseignements, surfez sur le site Internet Yamaha Pro Audio ci-dessous.  
<https://www.yamahaproaudio.com/>
- Puede utilizar la abrazadera en U en combinación con abrazaderas o soportes opcionales que se venden por separado. Para más información, visite el siguiente sitio web de Yamaha Pro Audio:  
<https://www.yamahaproaudio.com/>
- Você pode usar o suporte em U em combinação com suportes opcionais vendidos separadamente. Para obter mais informações, visite o seguinte site da Yamaha Pro Audio.  
<https://www.yamahaproaudio.com/>
- È possibile utilizzare la staffa a U in combinazione con staffe opzionali vendute separatamente. Per ulteriori informazioni, visitare il seguente sito web Yamaha Pro Audio.  
<https://www.yamahaproaudio.com/>
- Вы можете использовать U-образный кронштейн в комбинации с продаваемыми отдельно дополнительными кронштейнами. Для получения дополнительной информации посетите следующий веб-сайт Yamaha Pro Audio.  
<https://www.yamahaproaudio.com/>
- 您可以將U型支架與單獨出售的選配支架結合使用。有關更多信息，請訪問以下Yamaha Pro Audio網站。  
<https://www.yamahaproaudio.com/>
- Uブラケットは別売りのオプションブラケットと組み合わせてご使用いただけます。詳しくは下記ヤマハ プロオーディオウェブサイトをご覧ください。  
<https://www.yamahaproaudio.com/>

# Dimensions

## ■ UB-DZR15H

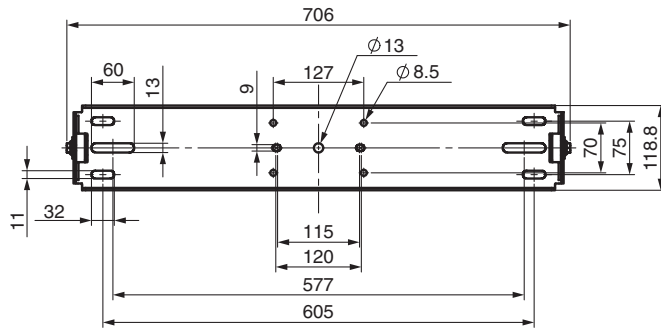
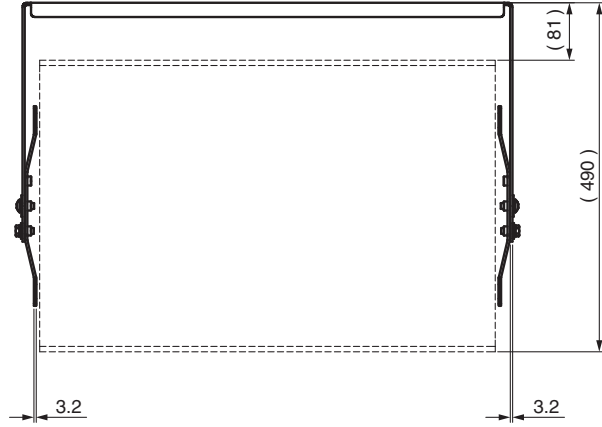
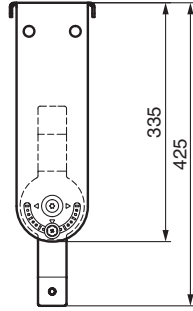


Unit: mm  
Weight: 6.2 kg



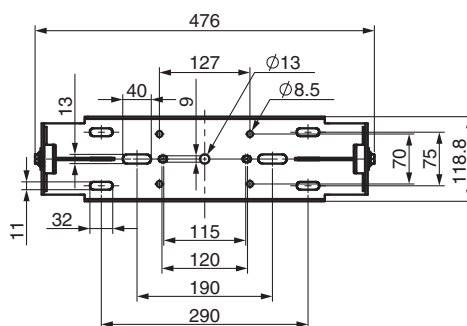
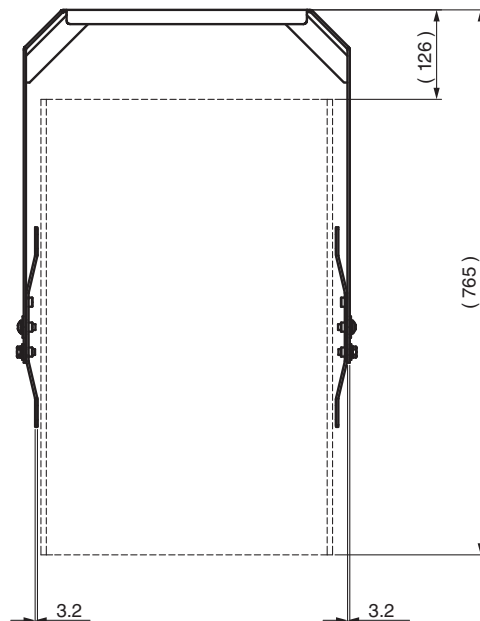
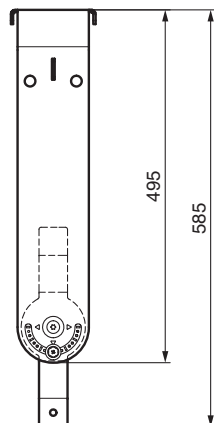


■ UB-DZR12H



Unit: mm  
Weight: 4.7 kg

■ UB-DZR12V



Unit: mm  
 Weight: 4.7 kg

English

Deutsch

Français

Español

Português

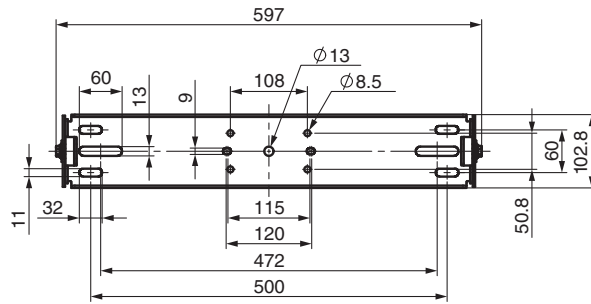
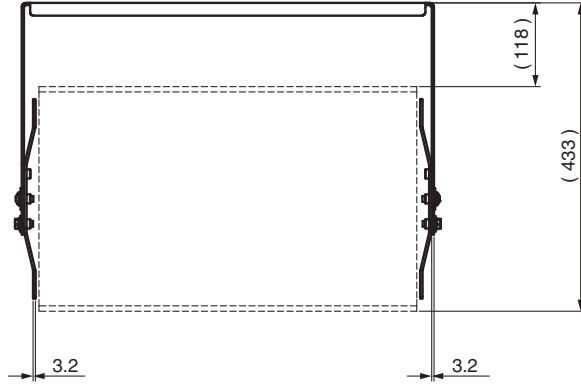
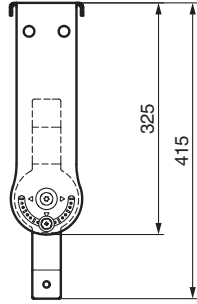
Italiano

Русский

中文

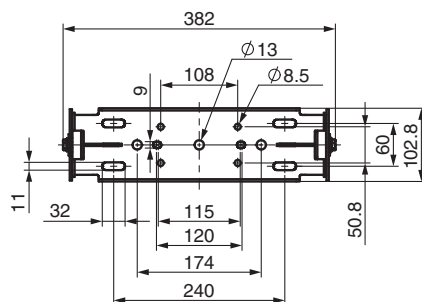
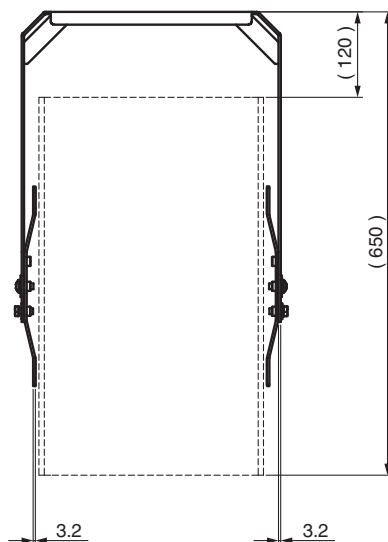
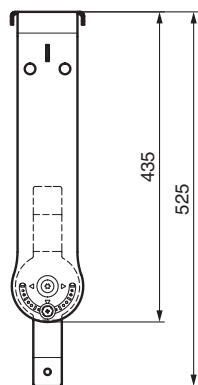
日本語

■ UB-DZR10H



Unit: mm  
Weight: 3.8 kg

■ UB-DZR10V



Unit: mm  
Weight: 3.6 kg

English

Deutsch

Français

Español

Português

Italiano

Русский

中文

日本語

# MEMO

# Yamaha Worldwide Representative Offices

## English

For details on the product(s), contact your nearest Yamaha representative or the authorized distributor, found by accessing the 2D barcode below.

## Deutsch

Wenden Sie sich für nähere Informationen zu Produkten an eine Yamaha-Vertretung oder einen autorisierten Händler in Ihrer Nähe. Diese finden Sie mithilfe des unten abgebildeten 2D-Strichodes.

## Français

Pour obtenir des informations sur le ou les produits, contactez votre représentant ou revendeur agréé Yamaha le plus proche. Vous le trouverez à l'aide du code-barres 2D ci-dessous.

## Español

Para ver información detallada sobre el producto, contacte con su representante o distribuidor autorizado Yamaha más cercano. Lo encontrará escaneando el siguiente código de barras 2D.

## Italiano

Per dettagli sui prodotti, contattare il rappresentante Yamaha o il distributore autorizzato più vicino, che è possibile trovare tramite il codice a barre 2D in basso.

## Português

Para mais informações sobre o(s) produto(s), fale com seu representante da Yamaha mais próximo ou com o distribuidor autorizado acessando o código de barras 2D abaixo.

## Русский

Чтобы узнать подробнее о продукте (продуктах), свяжитесь с ближайшим представителем или авторизованным дистрибьютором Yamaha, воспользовавшись двухмерным штрихкодом ниже.

## 简体中文

如需有关产品的详细信息，请联系距您最近的Yamaha代表或授权经销商，可通过访问下方的2D条形码找到这些代表或经销商的信息。

## 繁體中文

如需產品的詳細資訊，請聯絡與您距離最近的 Yamaha 銷售代表或授權經銷商，您可以掃描下方的二維條碼查看相關聯絡資料。

## 한국어

제품에 대한 자세한 정보는 아래 2D 바코드에 액세스하여 가까운 Yamaha 담당 판매점 또는 공식 대리점에 문의하십시오.



[https://manual.yamaha.com/pa/address\\_list/](https://manual.yamaha.com/pa/address_list/)

**雅马哈乐器音响（中国）投资有限公司**

上海市静安区新闻路1818号云和大厦2楼

客户服务热线：4000517700

公司网址：<https://www.yamaha.com.cn>

制造商： 雅马哈株式会社

制造商地址：日本静冈县滨松市中央区中泽町10-1

进口商： 雅马哈乐器音响（中国）投资有限公司

进口商地址：上海市静安区新闻路1818号云和大厦2楼

原产地： 印度尼西亚

Yamaha Pro Audio global website  
<https://www.yamahaproaudio.com/>

Yamaha Downloads  
<https://download.yamaha.com/>

© 2018 Yamaha Corporation  
Published 04/2024  
2024年4月发行  
IPEI-B0



VHN5650